



**GENUINE  
SCHWING  
PARTS** 

**SP Pumpkit Reference Guide**  
**New Generation**

[www.schwingparts.com](http://www.schwingparts.com)

Phone: 888-SCHWING (724-9464)

Fax: 651-429-2112

# How to Order Parts



To place an order for spare parts, you can order on line at [schwingparts.com](http://schwingparts.com), or you can call our toll free parts line from anywhere in the continental United States, except Minnesota. Parts department hours are Monday through Friday, 6:00 AM to 6:00 PM (central time).

Orders will also be accepted via fax, 24 hours/day.

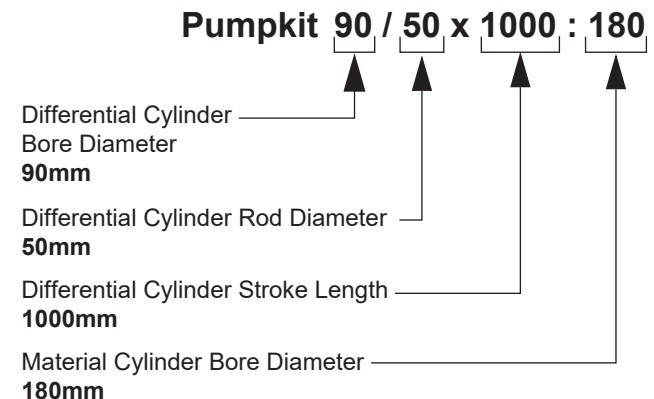
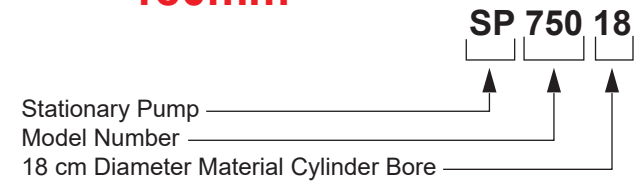
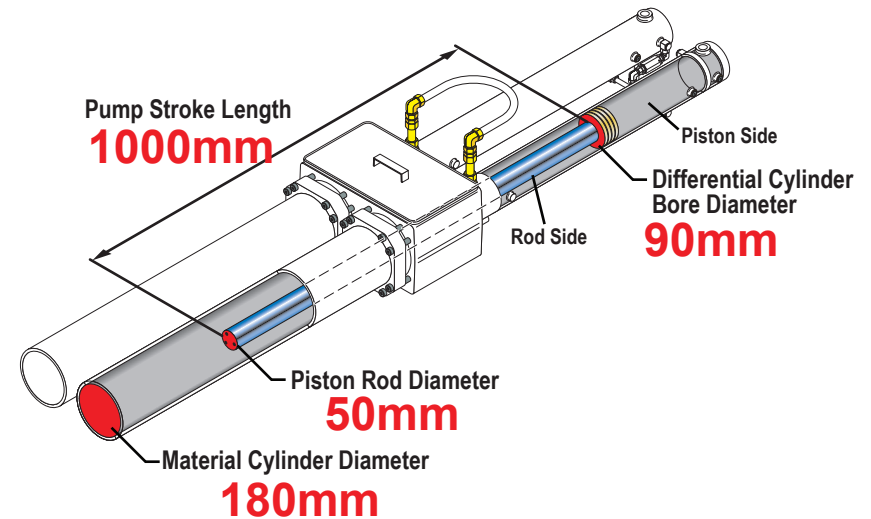
Phone:  
**1- 888-SCHWING (724-9464) or (800) 328 - 9635**  
 Fax:  
**(651) 429 - 2112**

Whenever you call the factory for spare parts or service, have the unit model number handy. You can find the model and serial number on the ID tag that is mounted to the subframe of the unit.

The main ID tag gives information about the entire unit, the pumpkit, the hydraulic systems, and the year of manufacture. The unit serial number is stamped into the subframe immediately below this tag.

 Schwing America 5900 Centerville Rd White Bear, MN 55127 Phone: 651-429-0999 www.schwing.com		SUBSIDIARY OF SUBSIDIARIA DE		 Schwing Gmbh Heerstrasse 9-27 D-44653 Herne / Germany Phone +49-2325-987-0 www.schwing.de		883037 02										
This product is covered by one or more U.S. patents - see patent decal /Este producto está cubierto por una o más patentes de Estados Unidos-vea la etiqueta																
MODEL MODELO	SP 750	SERIAL # # DE SERIE	7501391	YEAR AÑO	2018	MAX SPM	32.5	HP KW	100 75							
WEIGHTS/LOADS/PESO/CARGA																
Total Weight Peso Total	9040 40212	LBS N	Tongue Weight Lengua De Peso	820 3648	LBS N	Allowable Vertical Tongue Load Carga Vertical Permisible	2977 13240	LBS N	Allowable Horizontal Tongue Load Carga Horizontal Permisible	17643 78480	LBS N					
HYDRAULIC PRESSURES/PRESIONES HIDRAULICAS							MATERIAL PRESSURE/PRESIONES									
Concrete Pump / Bomba De Concreto	3867 267	P.S.I. bar	Agitator El Agitador	1812 125	P.S.I. bar	Accumulator El Acumulador	2900 200	P.S.I. bar	Auxiliary Auxiliar	N/A bar	P.S.I. bar	Material Material	RS RS	PS PS	1100 76	P.S.I. bar

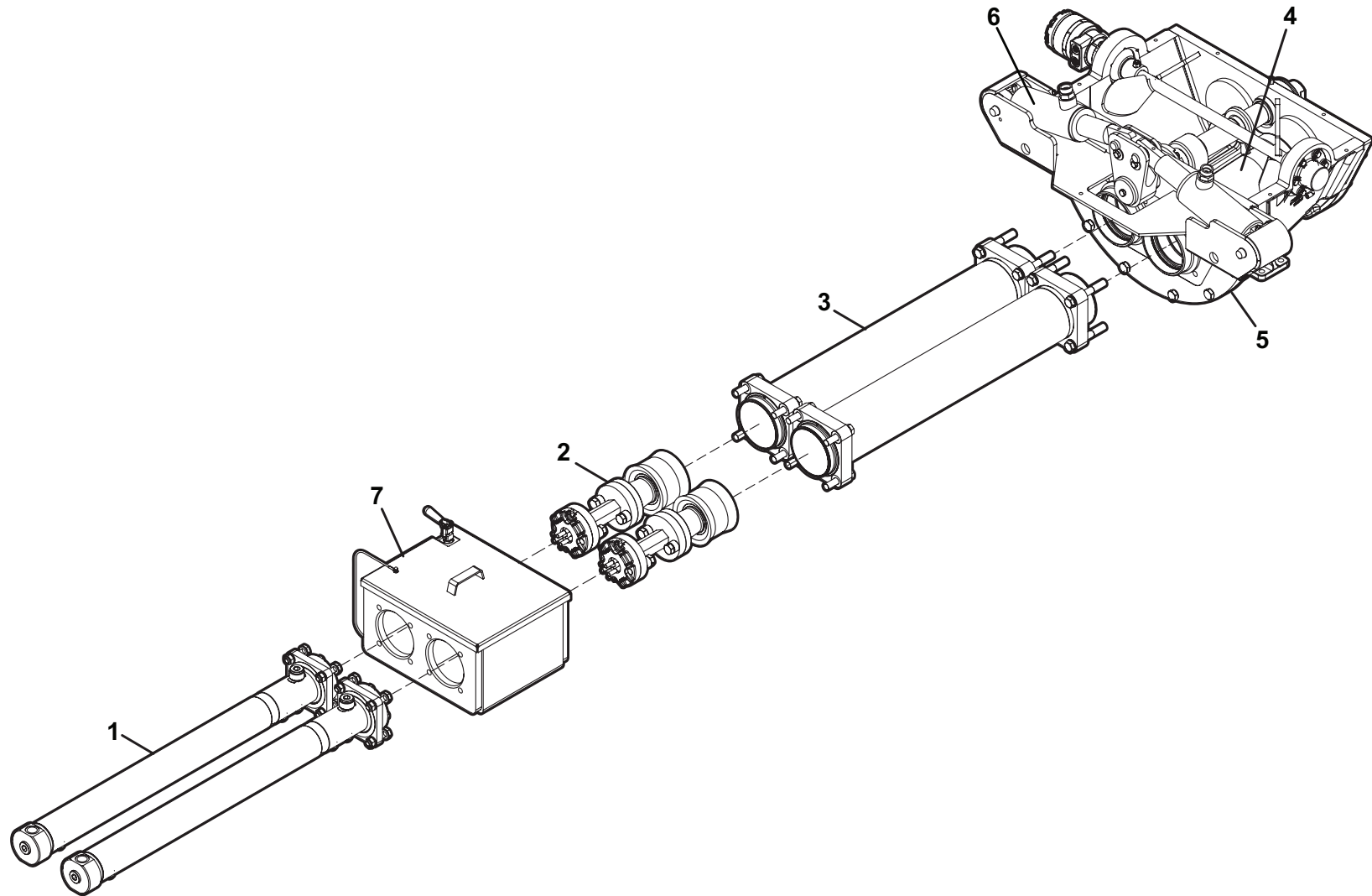
## SP 750-18 90/50 x 1000:180



# Table of Contents

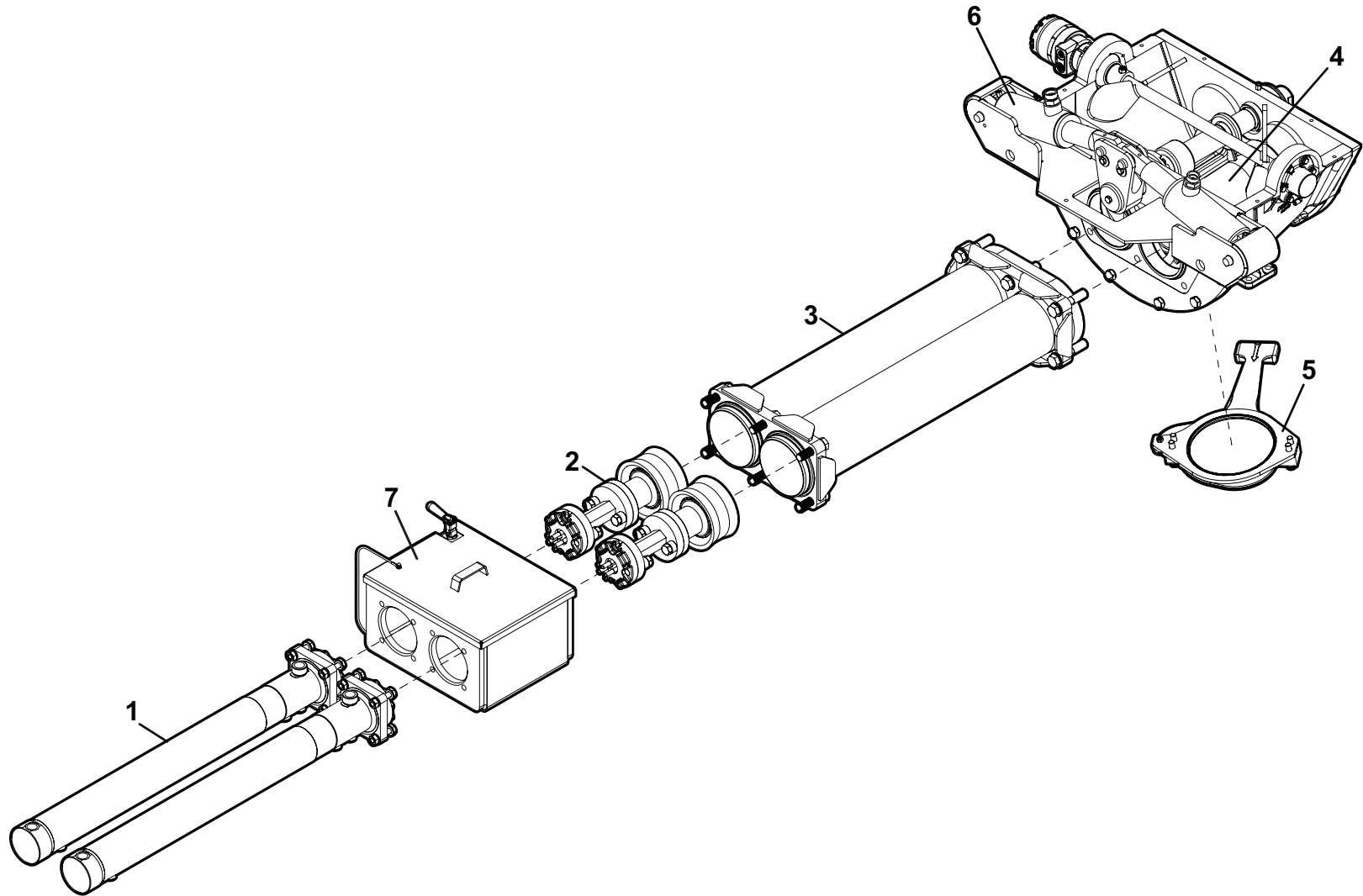
Pumpkit 80/50 x 1000:150.....	5	10164490 - M- Rock Valve Housing .....	49
Pumpkit 90/50 x 1000:180.....	7	98394185 - Housing Rear Long Rock .....	51
Pumpkit 90/50 x 1000:150.....	9	98397240 - Housing Rear Short Rock.....	53
Pumpkit 80/55 x 1400:180.....	11	10018045 - Assy Housing Rear.....	55
Pumpkit 120/80 x 1600:200.....	13	10036433 - Discharge Cover.....	57
10040856 - Differential Cylinder .....	15	98422405 - Discharge Cover.....	59
98418221 - Differential Cylinder .....	17	98397242 - Clean Out Door .....	61
10079304 - Differential Cylinder .....	19	98394194 - Assy Agitator.....	63
98354457 - Differential Cylinder .....	21	98394288 - Assy Agitator SP2000.....	65
98394126 - Assy Material Cylinder.....	23	98394124 - Assy Waterbox 6" Drain.....	67
98397493 - Assy Material Cylinders .....	25	98396681 - Assy Waterbox 7" Drain.....	69
98396678 - Assy Material Cylinders .....	27	98394351 - Assy Waterbox 120/200 .....	71
98394294 - Assy Material Cylinder.....	29	30390238 - Cylinder Hyd Slewing .....	73
98394128 - Assy Ram 150mm .....	31	10094569 - Slewing Cylinder.....	75
98396679 - Assy Ram 180mm .....	33		
10014314 - Pumping Piston DN 200.....	35		
Rock Valve - Long .....	37		
Rock Valve - Short.....	39		
98375240 - Assy M Rock Valve.....	41		
98394175 - Assy Housing Front .....	43		
98396660 - Assy Housing Front .....	45		
98397237 - Assy Housing Front HP .....	47		

# 98372109 - Pumpkit 80/50 x 1000:150



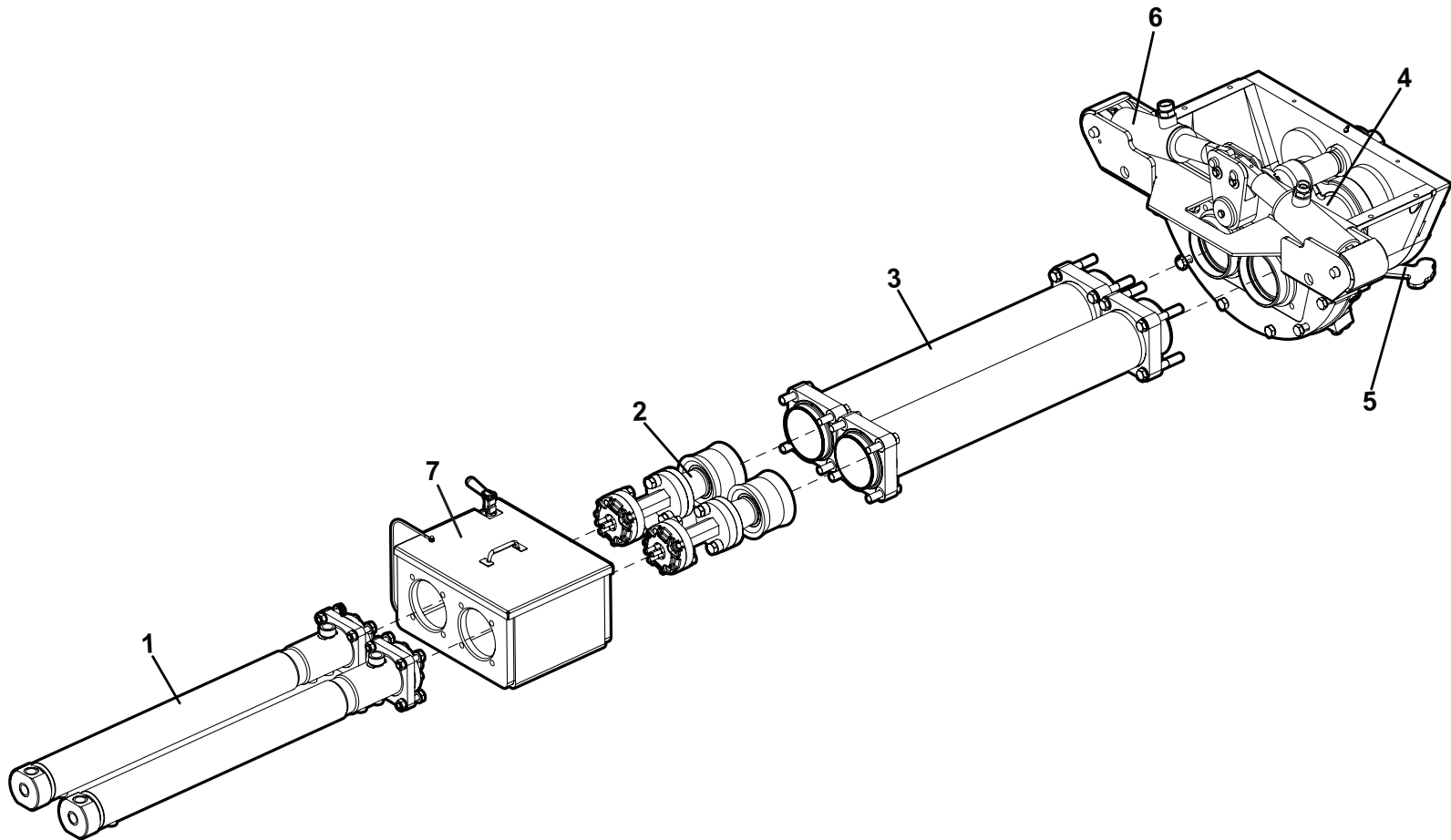


# 98372408 - Pumpkit 90/50 x 1000:180



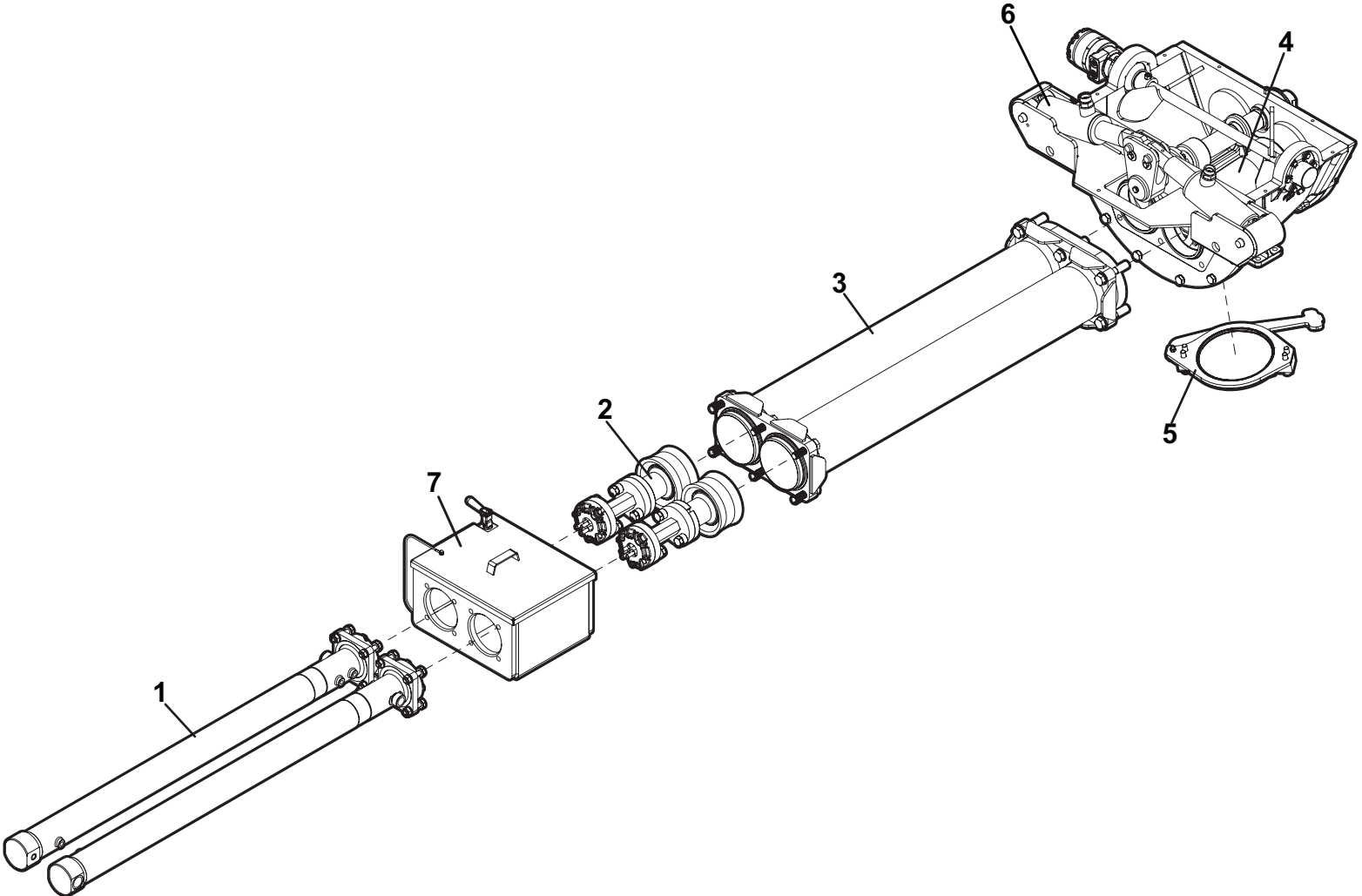


# 98373040 - Pumpkit 90/50 x 1000:150



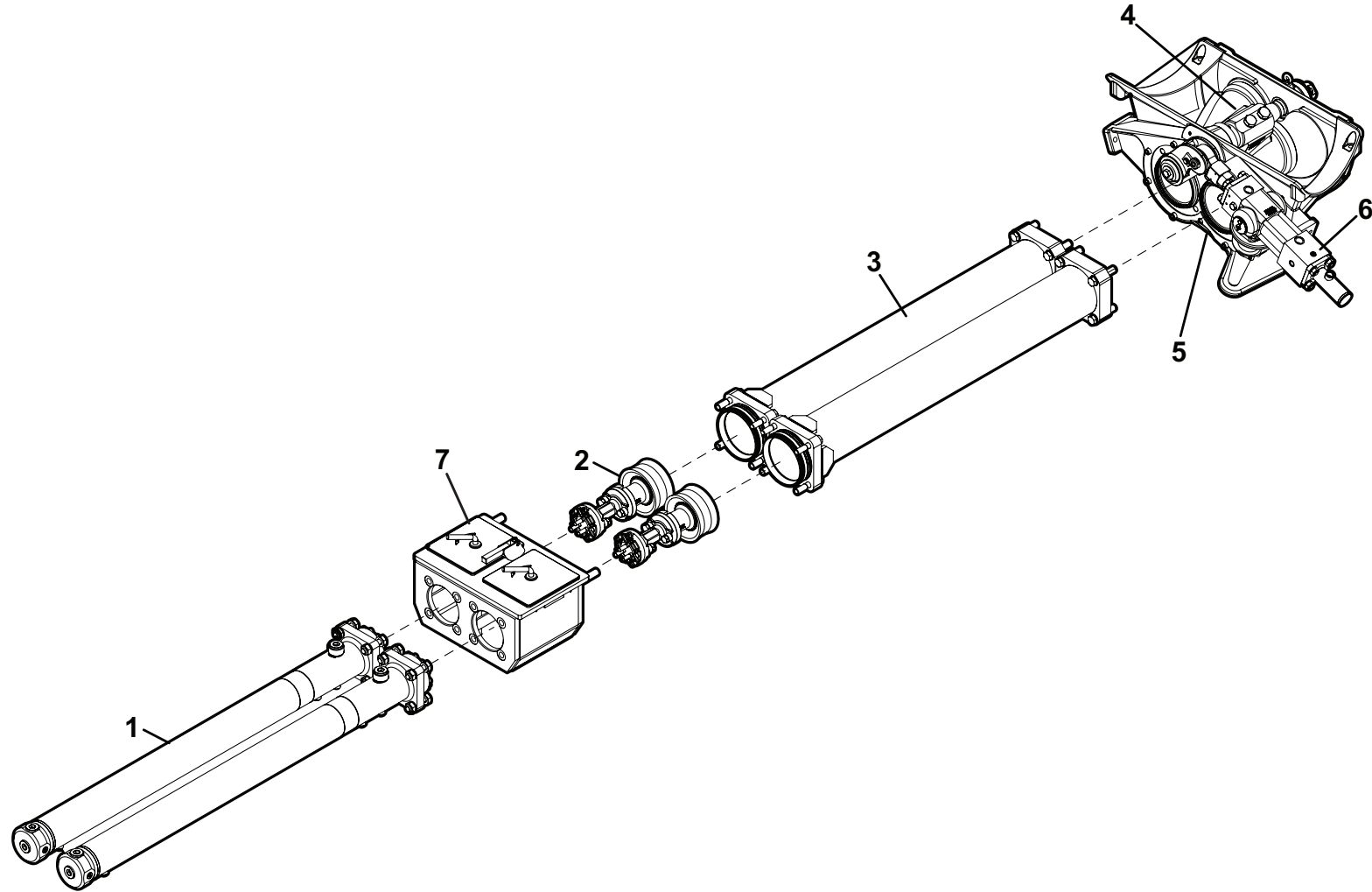


# 98372688 - Pumpkit 80/55 x 1400:180



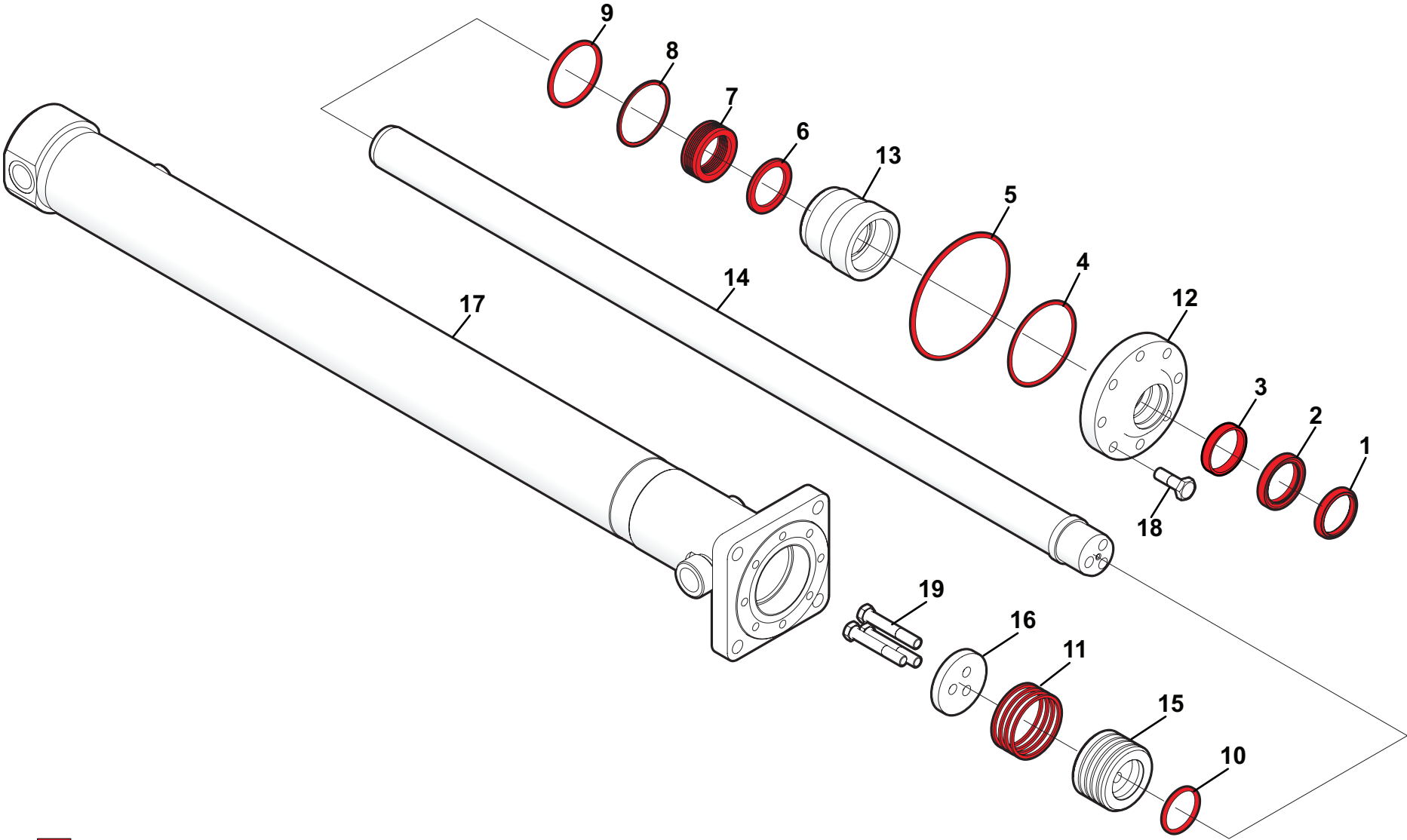


# 98394367 - Pumpkit 120/80 x 1600:200





# 10040856 - Differential Cyl. D 80/ 50 x 200 x 1000



 = Wear Parts

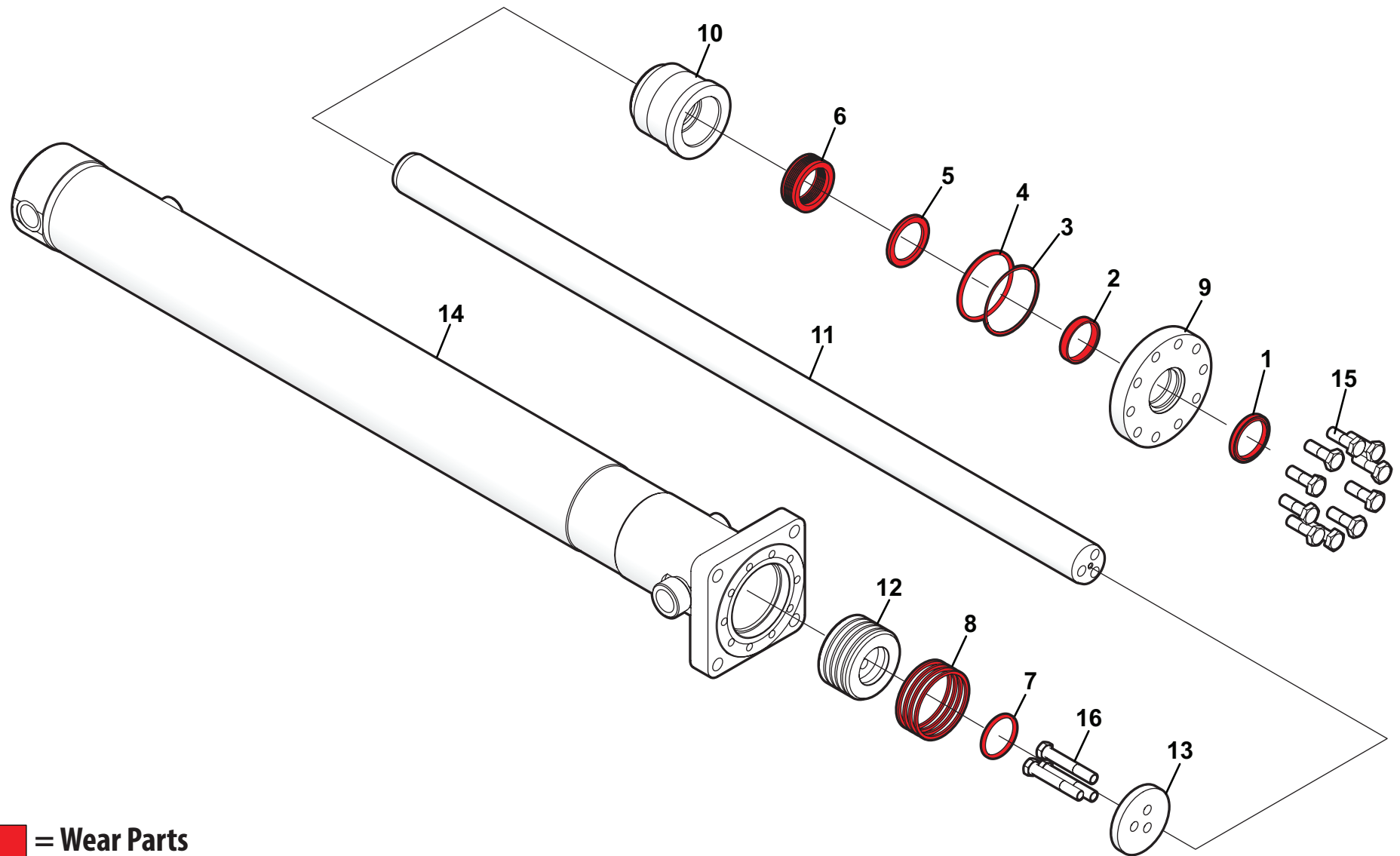
**SP500/750-15**

# 10040856 - Differential Cylinder

www.schwingparts.com   
1- 888-SCHWING (724-9464)

Item	Qty	Description	Part Number
1	1	Scraper 50 x 60 x 9	98321190
2	1	Rod sealing 50 x 65 x 10 - PUR	98321191
3	1	Guide strip ID 50 x 2.5 x 9.7	10160565
4	1	O-Ring 100 x 3 NBR 70	10001056
5	1	O-Ring 150 x 4 NBR 70	10000458
6	1	Back-up ring unslotted 65 x 50.2 x 4	10027753
7	1	Sealing gland set 50/ 65 x 22,5	10003414
8	1	Back-up ring unslotted 80 x 73.6 x 1.5	10016238
9	1	O-Ring 72 x 4 NBR 70	10000933
10	1	O-Ring 48 x 4 NBR 70	10000703
11	4	Rectangular ring 80.0/ 73.0 x 3.0	10013030
12	1	Tension ring D 80/ 50	98321189
13	1	Guide bushing	10047860
14	1	Piston rod F 50x1160/ 12- 30	10027750
15	1	BRACKET FOR E-BATTERIE	10040858
16	1	PLT - Disc 77 x 10	10040857
17	1	Cylinder block 80/ 50	10040859
18	8	Screw DIN 6914 M 12 x 40-10.9-GT500	10027756
19	3	Loading area plate	10027757

# 98418221 - Differential Cyl. D 90/ 50 x 1000



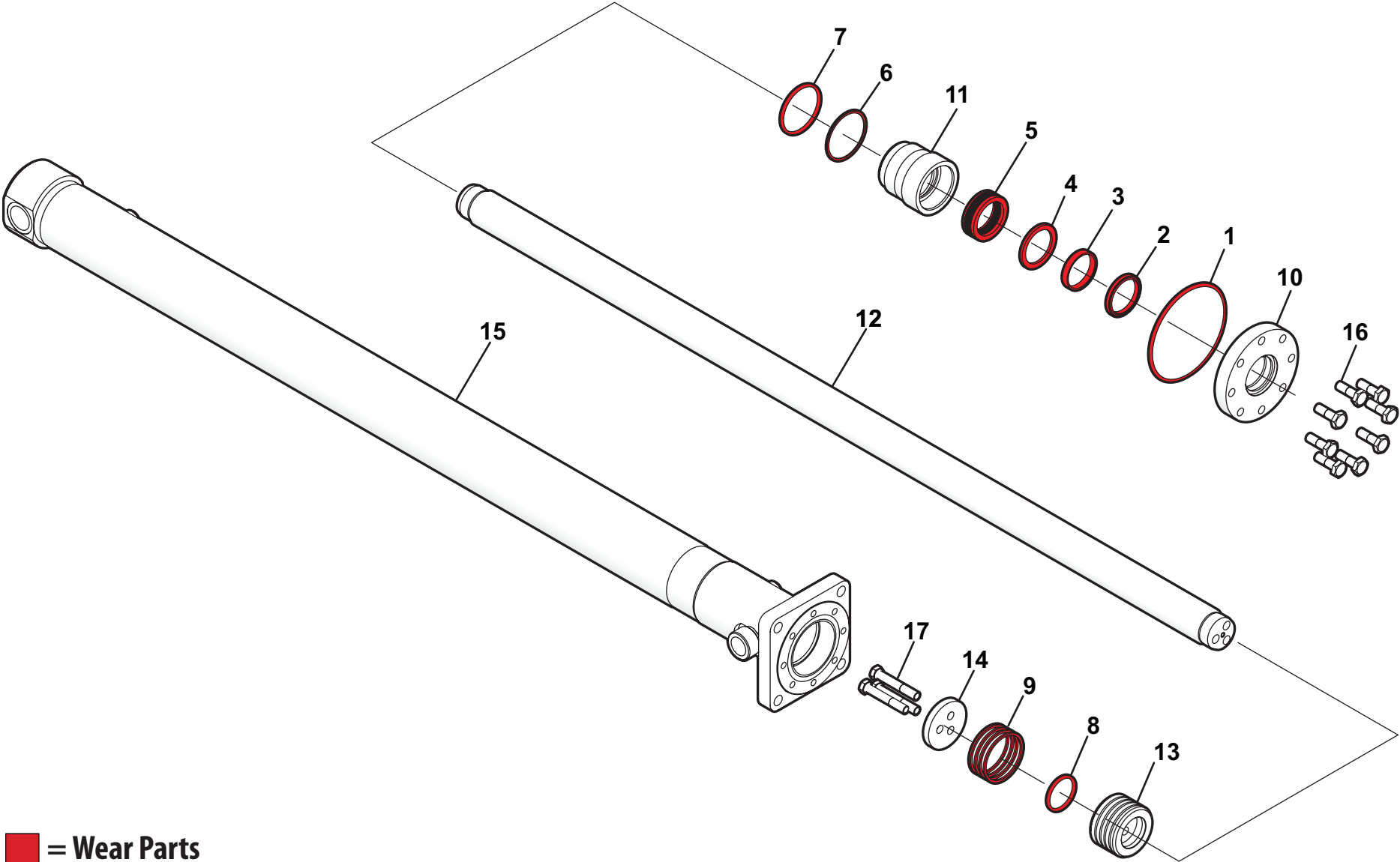
**SP750-18/1000/SP1000 HP**

# 98418221 - Differential Cylinder

www.schwingparts.com   
1- 888-SCHWING (724-9464)

Item	Qty	Description	Part Number
1	1	Wiper ring 50 x 60 x 7	10002789
2	1	Guide strip ID 50 x 2.5 x 9.7	10160565
3	1	Back-up ring slotted 90 x 83.6x 1.5	10027754
4	1	O-Ring 82 x 4 NBR 70	10001008
5	1	Back-up ring unslotted 65 x 50.2 x 4	10027753
6	1	Sealing gland set 50/ 65 x 22,5	10003414
7	1	O-Ring 48 x 4 NBR 70	10000703
8	4	Rectangular Ring 90.0/ 82.2 x 3.0	10007991
9	1	Tension ring D 90/ 50	98418433
10	1	Guide bushing N 50 x 90 / 83- 70	98418427
11	1	Piston rod F 50x1165/ 12- 30	98418438
12	1	Hydraulic piston B 90 x 50/50- 25	10027719
13	1	PLT - Disc 87 x 10	10027718
14	1	Cylinder block 90 x 1000	98418393
15	10	Screw DIN 6914 M 12 x 40-10.9-GT500	10027756
16	3	Screw DIN 931 M 12 x 80-10.9-GT500	10027757

# 10079304 - Differential Cylinder D 80/ 55 x 1400



 = Wear Parts

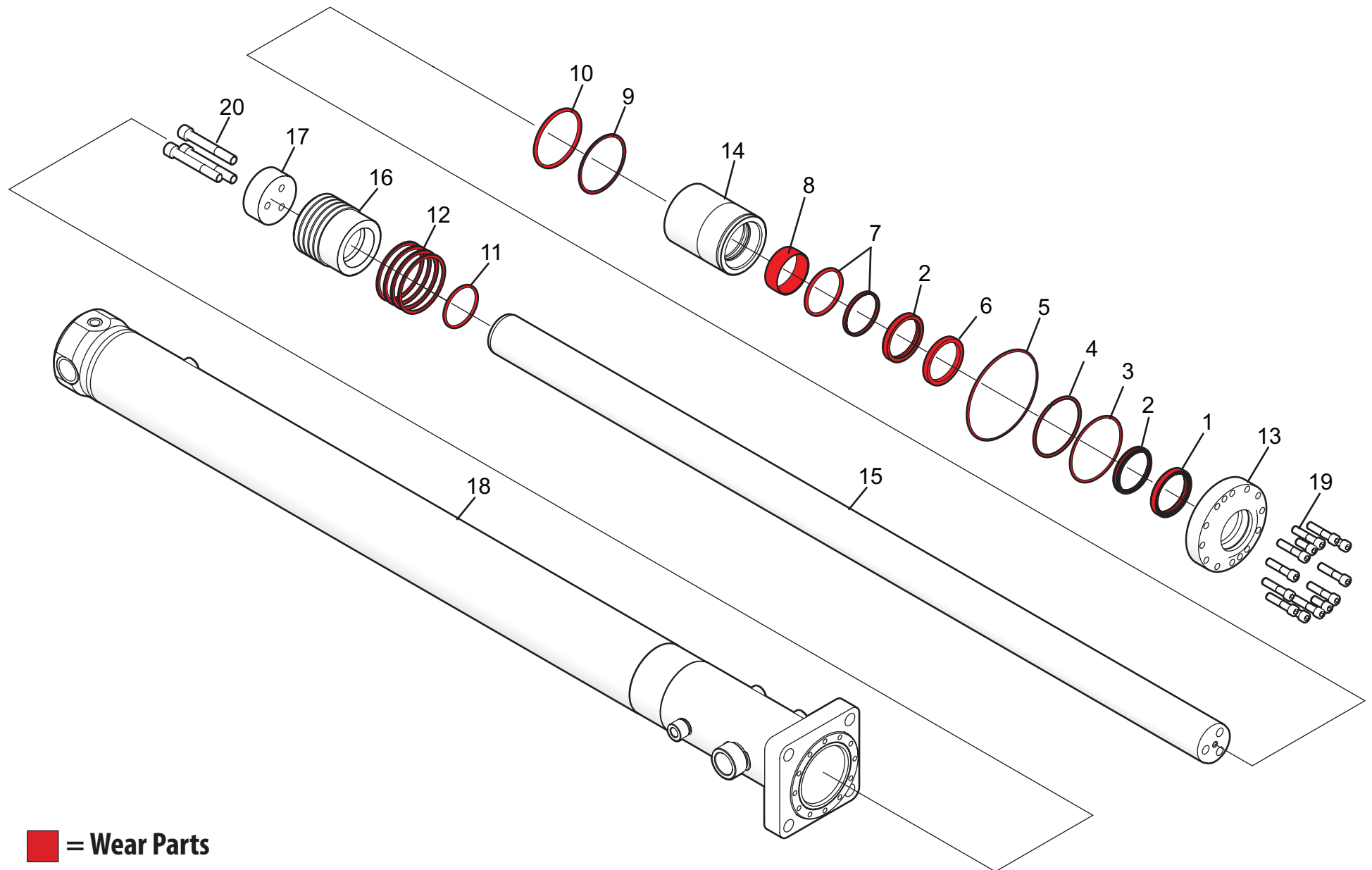
**SP1250**

# 10079304 - Differential Cylinder

www.schwingparts.com   
1- 888-SCHWING (724-9464)

Item	Qty	Description	Part Number
1	1	O-Ring 150 x 4 NBR 70	10000458
2	1	Wiper ring 55 x 65 x 7	10079310
3	1	Guide strip ID 55 x 2.5 x 9.7	10122752
4	1	Back-up ring unslotted 70 x 55.2 x 4	10079309
5	1	Sealing gland set 55/ 70 x 22.5	10013333
6	1	Back-up ring unslotted 80 x 73.6 x 1.5	10016238
7	1	O-Ring 72 x 4 NBR 70	10000933
8	1	O-Ring 48 x 4 NBR 70	10000703
9	4	Rectangular ring 80.0/ 73.0 x 3.0	10013030
10	1	Tension ring	10079308
11	1	Guide bushing	10079307
12	1	Piston rod	10079306
13	1	Hydraulic piston B 80X 50/ 50- 25	10040858
14	1	PLT - Disc 77 x 10	10040857
15	1	Cylinder block 80 x 1400	98421687
16	8	Screw DIN 6914 M 12 x 40-10.9-GT500	10027756
17	3	Screw DIN 931 M 12 x 80-10.9-GT500	10027757

# 98354457 - Differential Cylinder D 120/ 80 x 1600



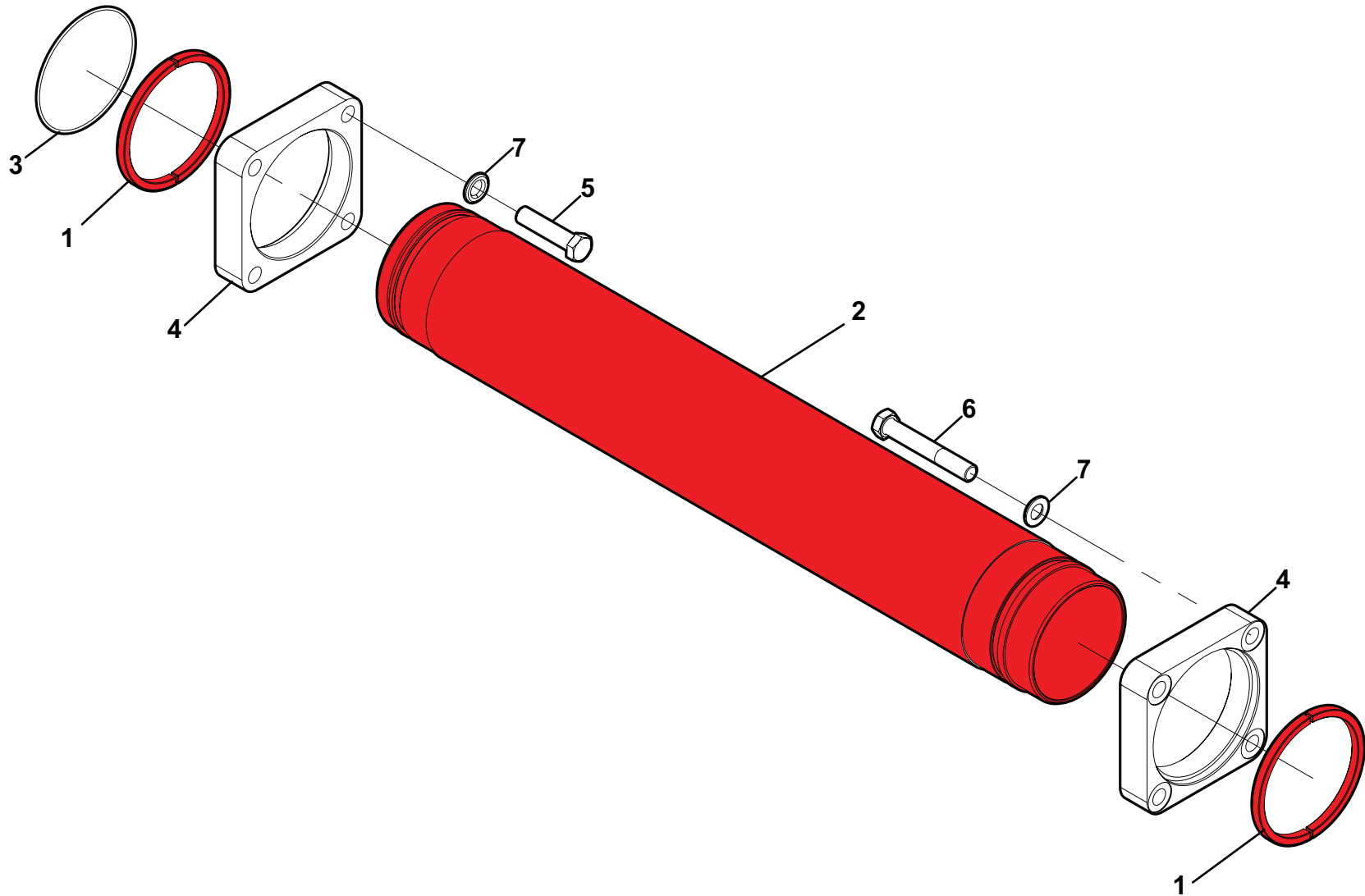
**SP2000**

# 98354457 - Differential Cylinder

www.schwingparts.com   
1- 888-SCHWING (724-9464)

Item	Qty	Description	Part Number
1	1	Wiper ring 80 x 92.2 x 8.1	98331496
2	2	Rod sealing 80 x 95 x 11.5	98331495
3	1	O-Ring 130 x 3 NBR 70	60092846
4	1	Snap ring DIN 7993 A 120	98354368
5	1	O-Ring 174 x 3 NBR 70	10000511
6	1	Back-up ring unslotted 95 x 80.6 x 9.5	98354228
7	1	Rod sealing 80 x 95.1x 6.3	98331494
8	1	Guide ring 80 x 29.5	98322857
9	1	Back-up ring slotted 120 x 112 x 2	10017527
10	1	O-Ring 110 x 5 NBR 70	10001077
11	1	O-Ring 78 x 4 NBR 70	10000968
12	4	Rectangular ring 120.0/110.0 x 3.0	10007052
13	1	Tension ring D 120/ 80	98354225
14	1	Guide bushing D 120/ 80	98353697
15	1	Piston rod F 80x1892/ 16- 50	10013157
16	1	Hydraulic piston D 120/ 80	98354345
17	1	Disc 120 x 53	98365037
18	1	Cylinder block 120 x 1600	98354397
19	14	Screw DIN 912 M 12 x 60-12.9-GT500	10001200
20	3	Screw DIN 912 M 16 x120-10.9-GT500	10010580

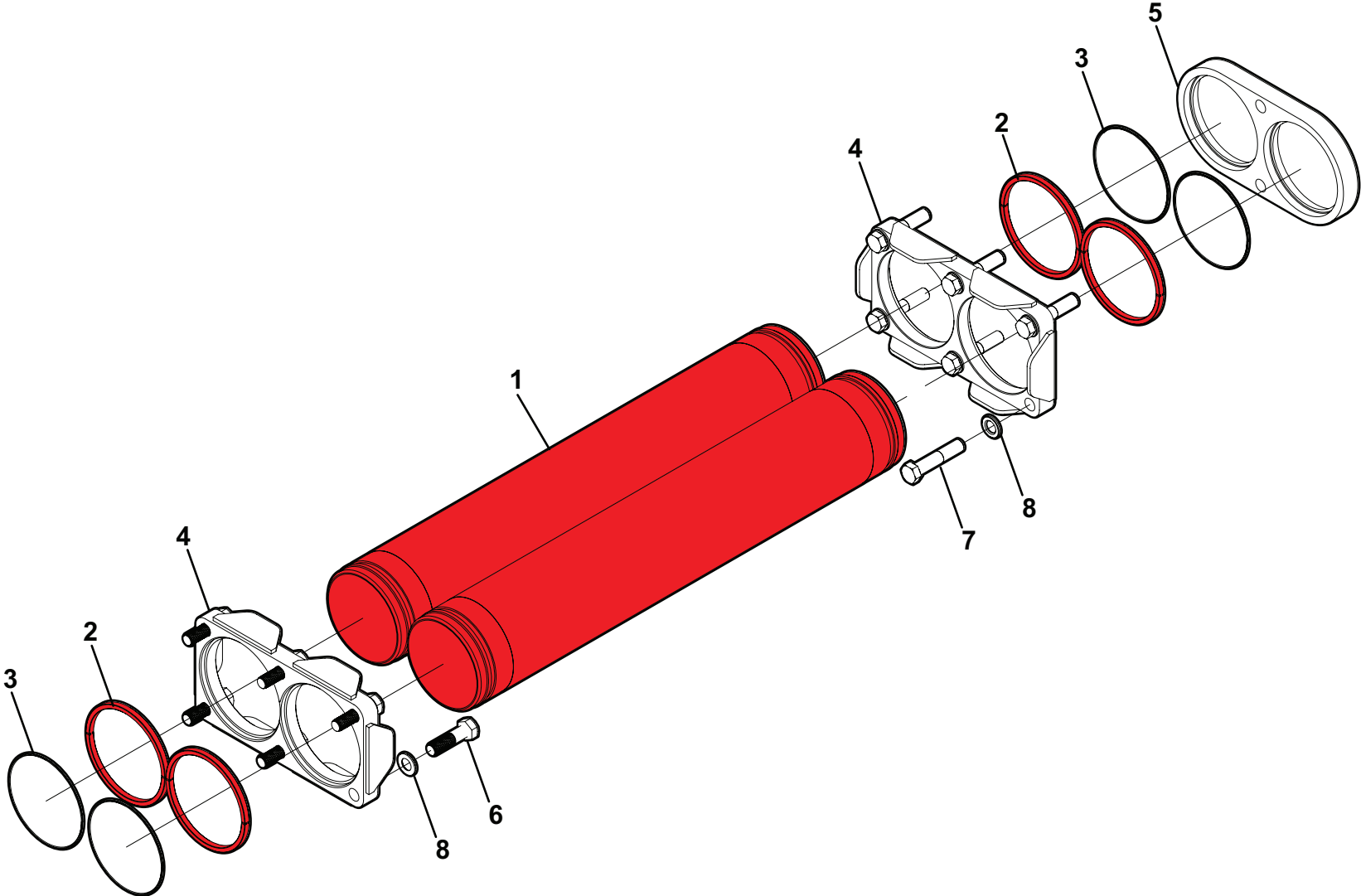
# 98394126 - Assy Material Cylinder 150 x 1000



 = Wear Parts



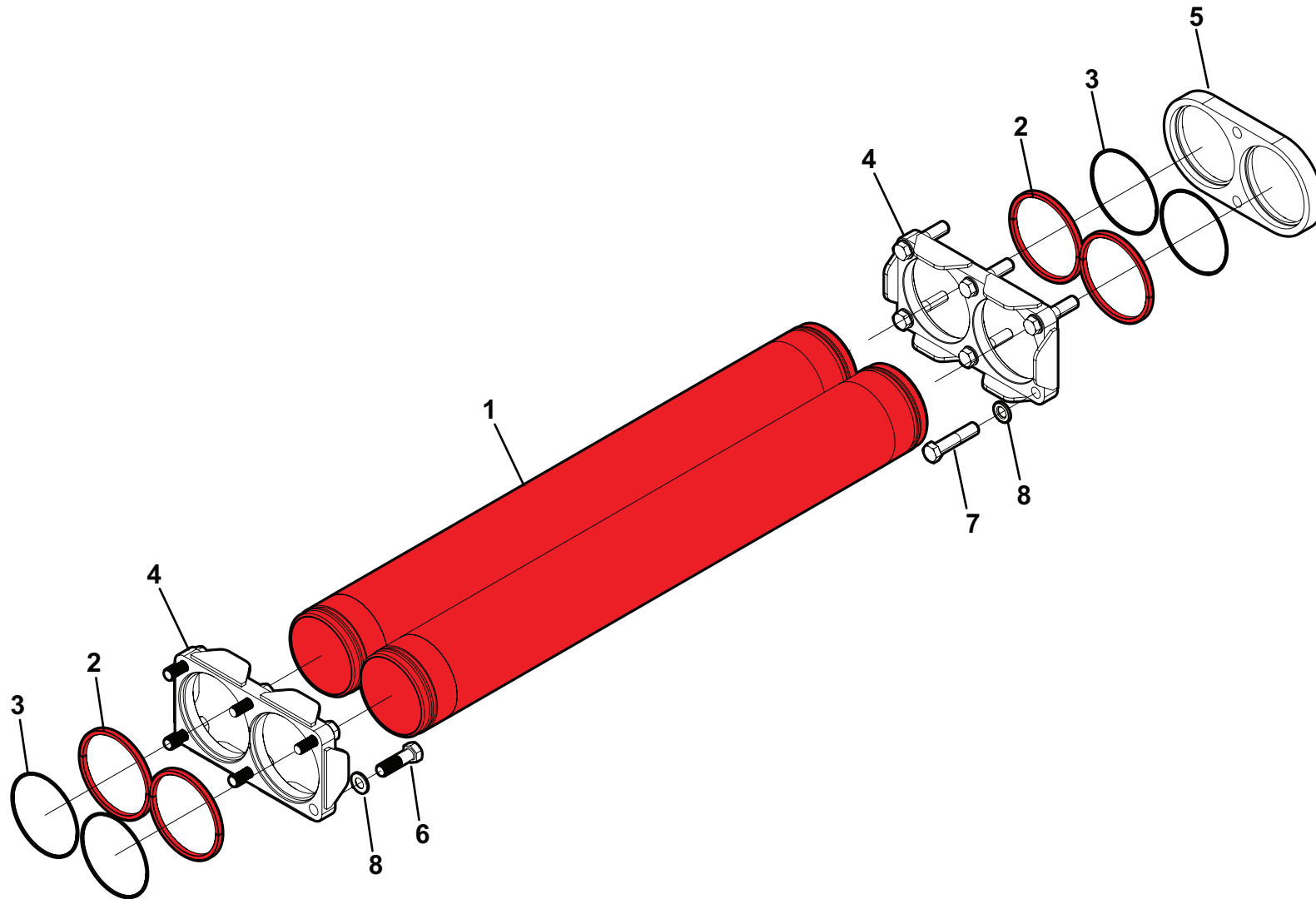
# 98397493 - Assy Material Cylinders 180 x 1000mm



 = Wear Parts



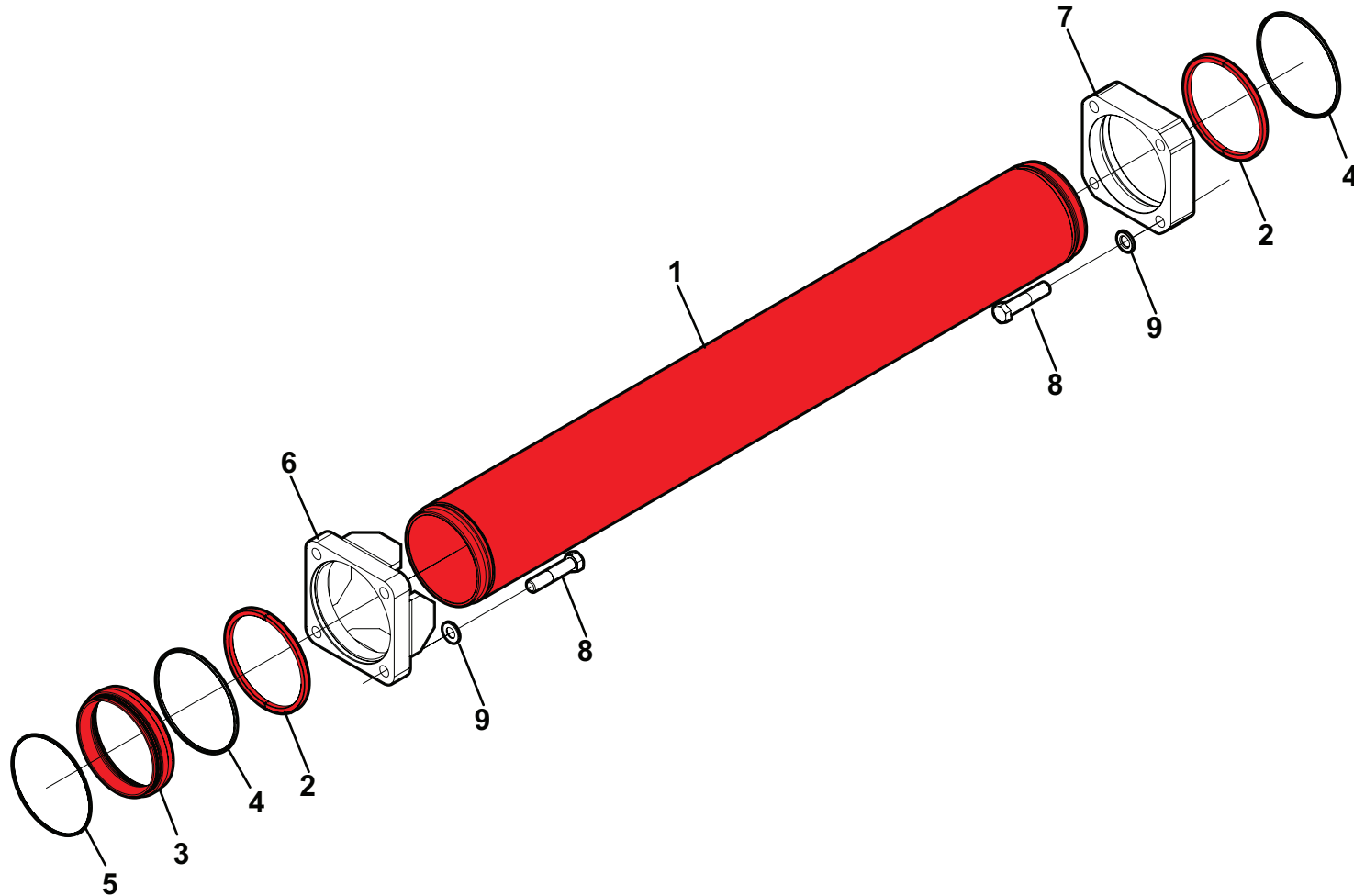
# 98396678 - Assy Material Cylinders 180 x 1400mm



 = Wear Parts



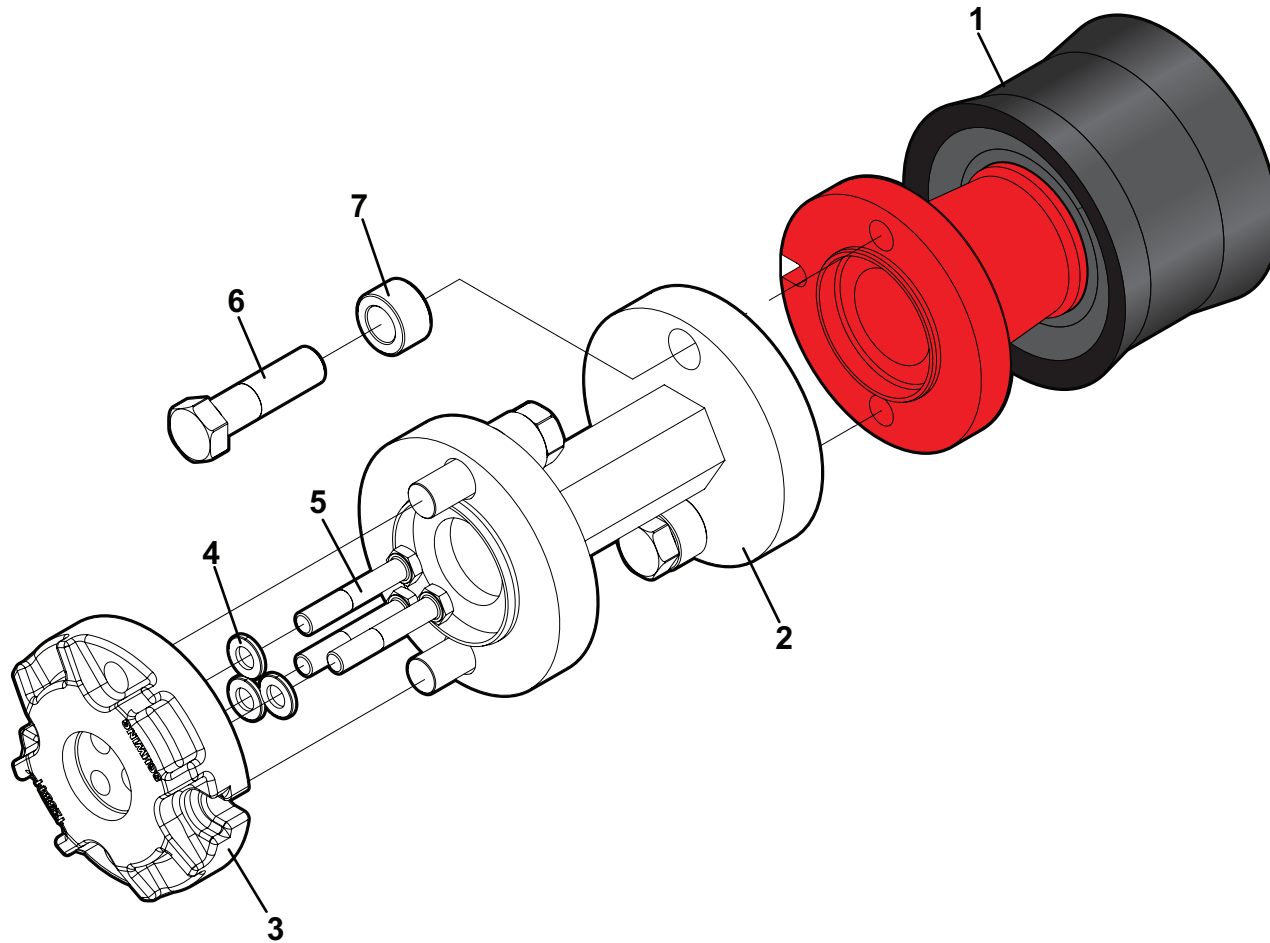
# 98394294 - Assy Material Cylinder 200 x 1600 CR



 = Wear Parts



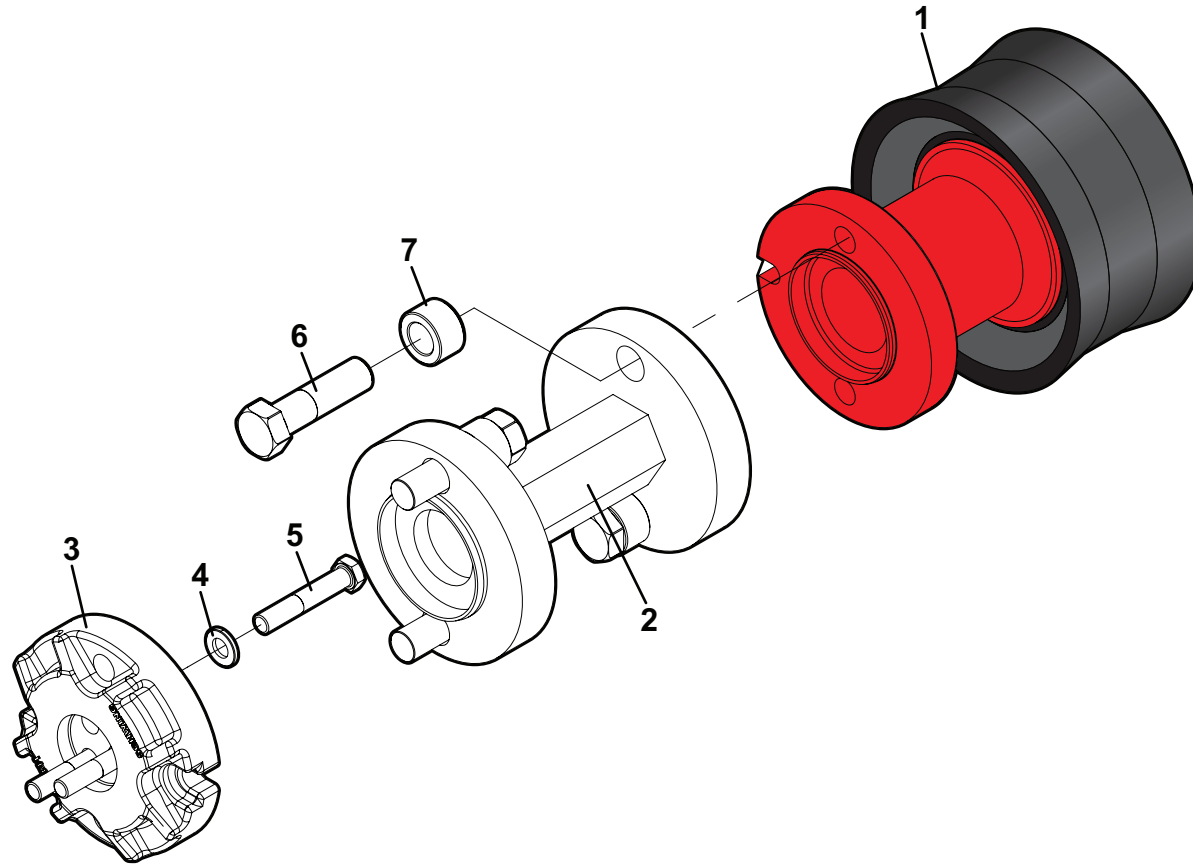
# 98394128 - Assy Ram 150mm



 = Wear Parts



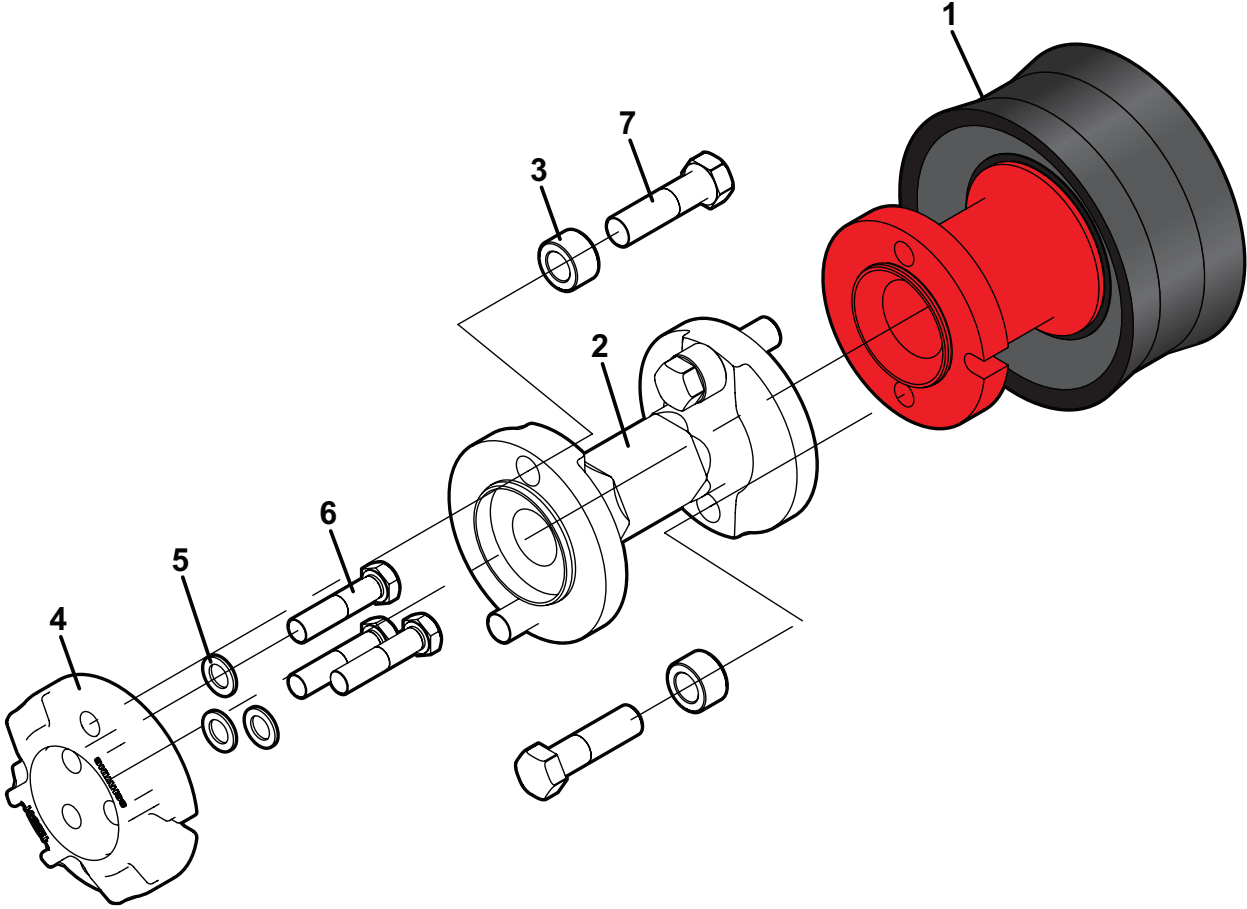
# 98396679 - Assy Ram 180mm



 = Wear Parts



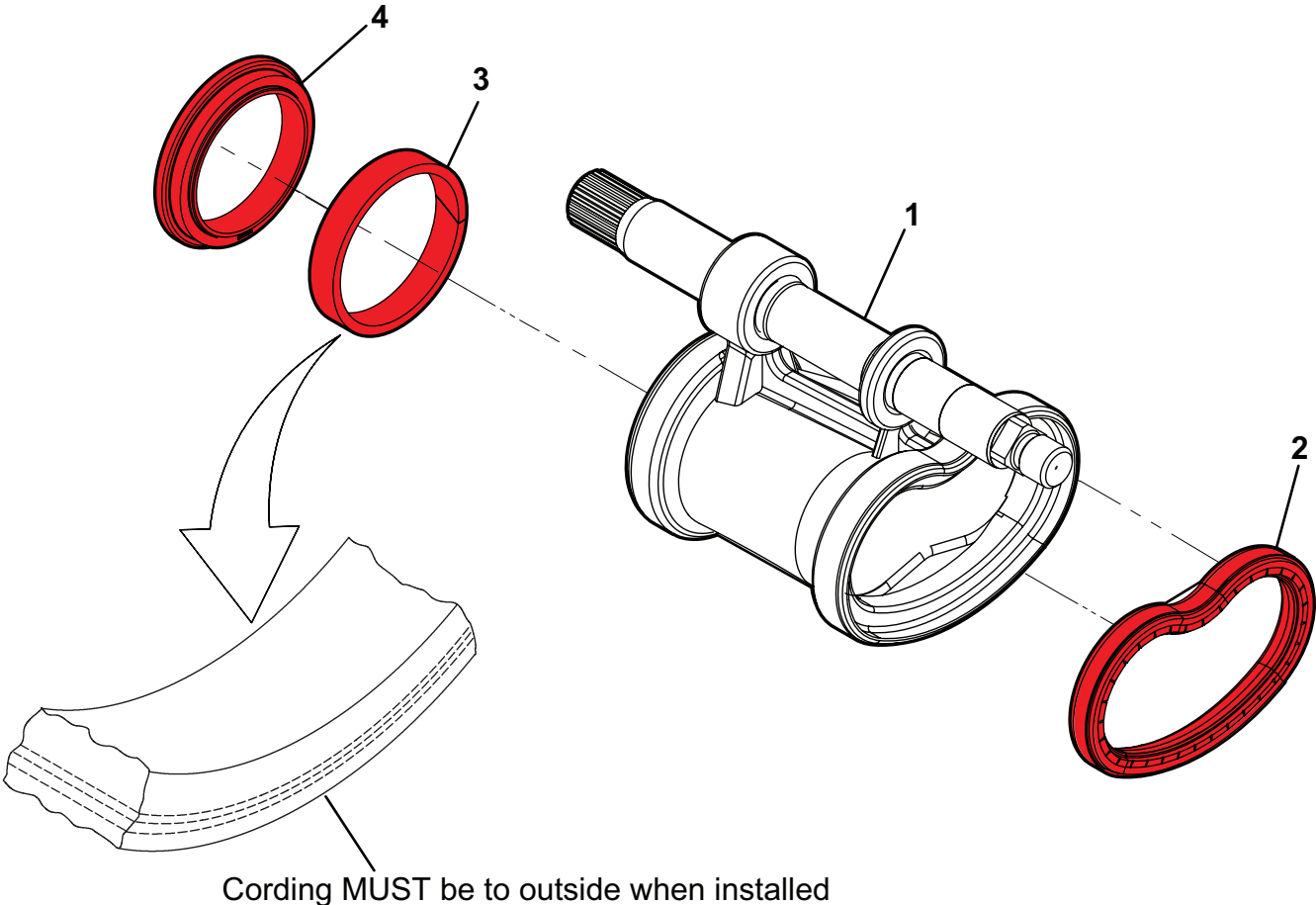
# 10014314 - Pumping Piston DN200



 = Wear Parts



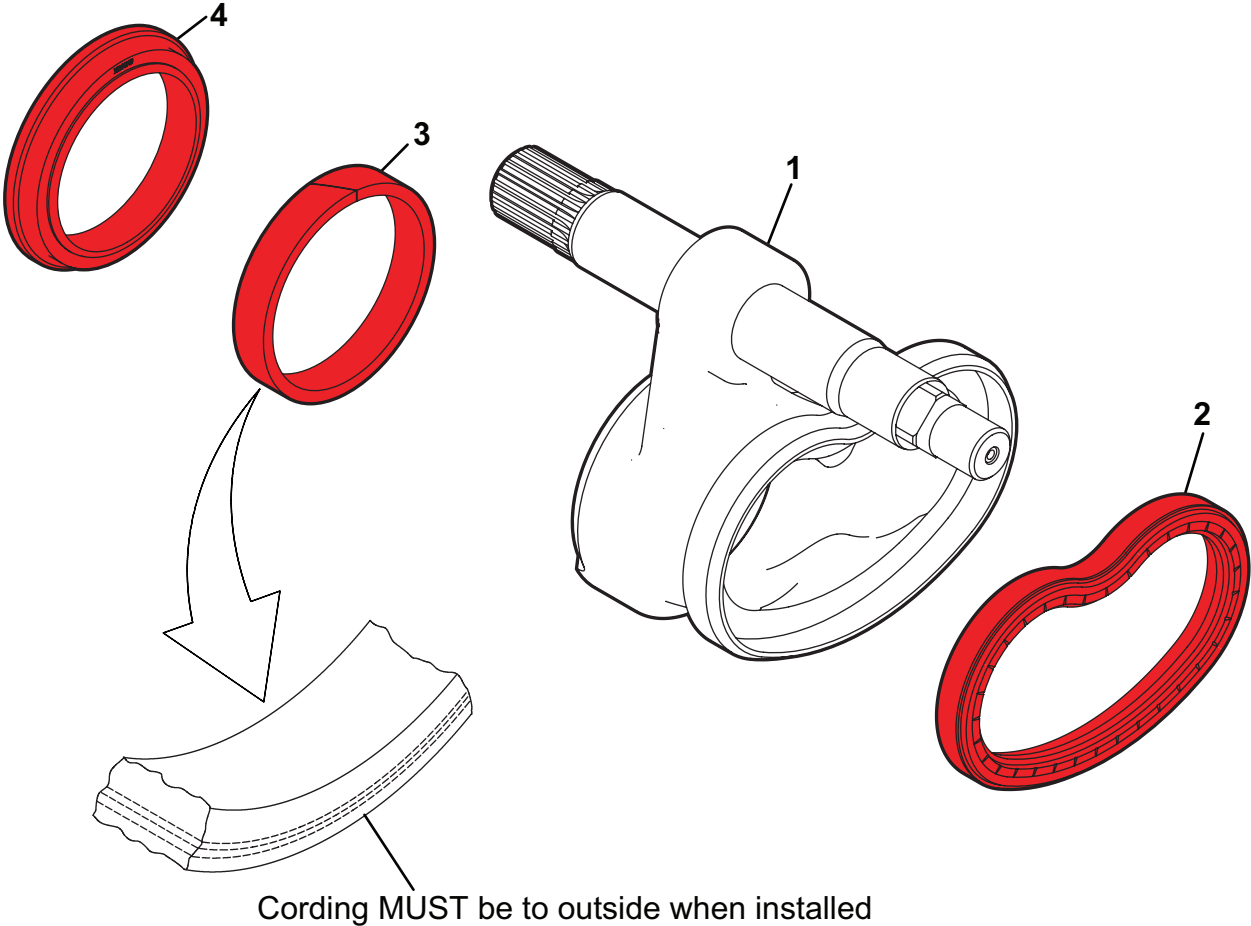
# Rock Valve - Long



 = Wear Parts



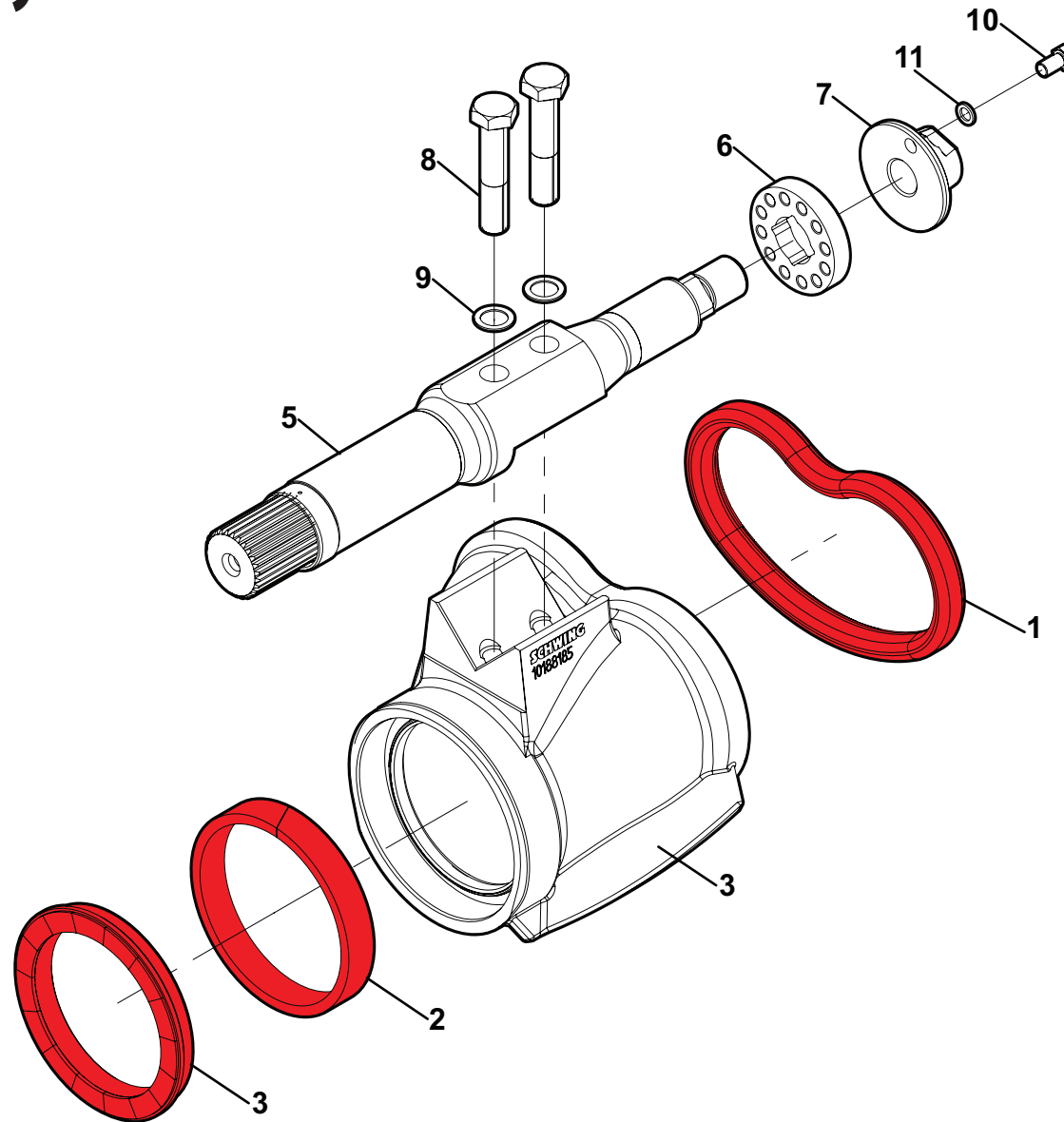
# Rock Valve - Short



 = Wear Parts



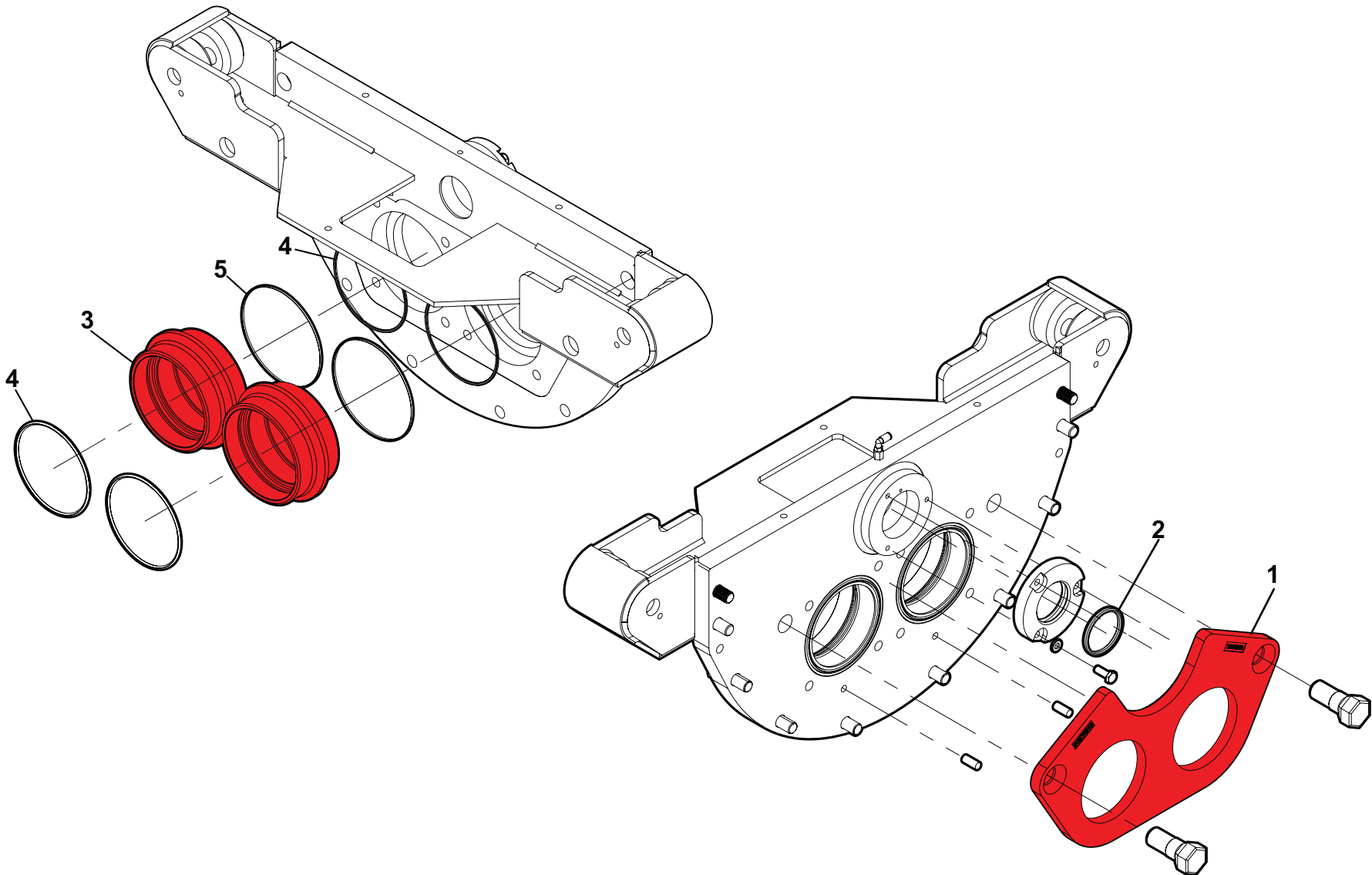
# 98375240 - Assy M Rock Valve



 = Wear Parts



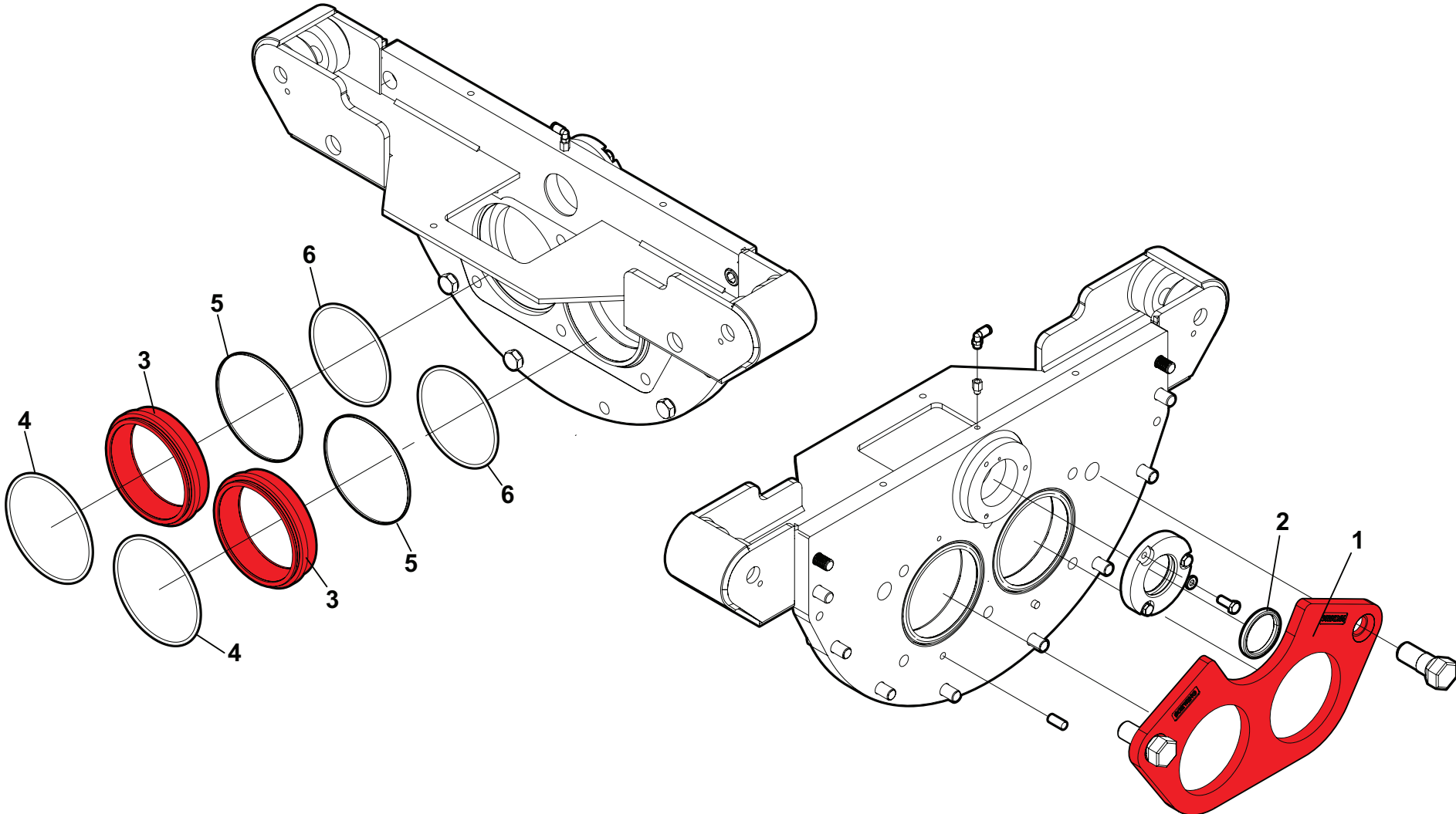
# 98394175 - Assy Housing Front SP500/750



 = Wear Parts



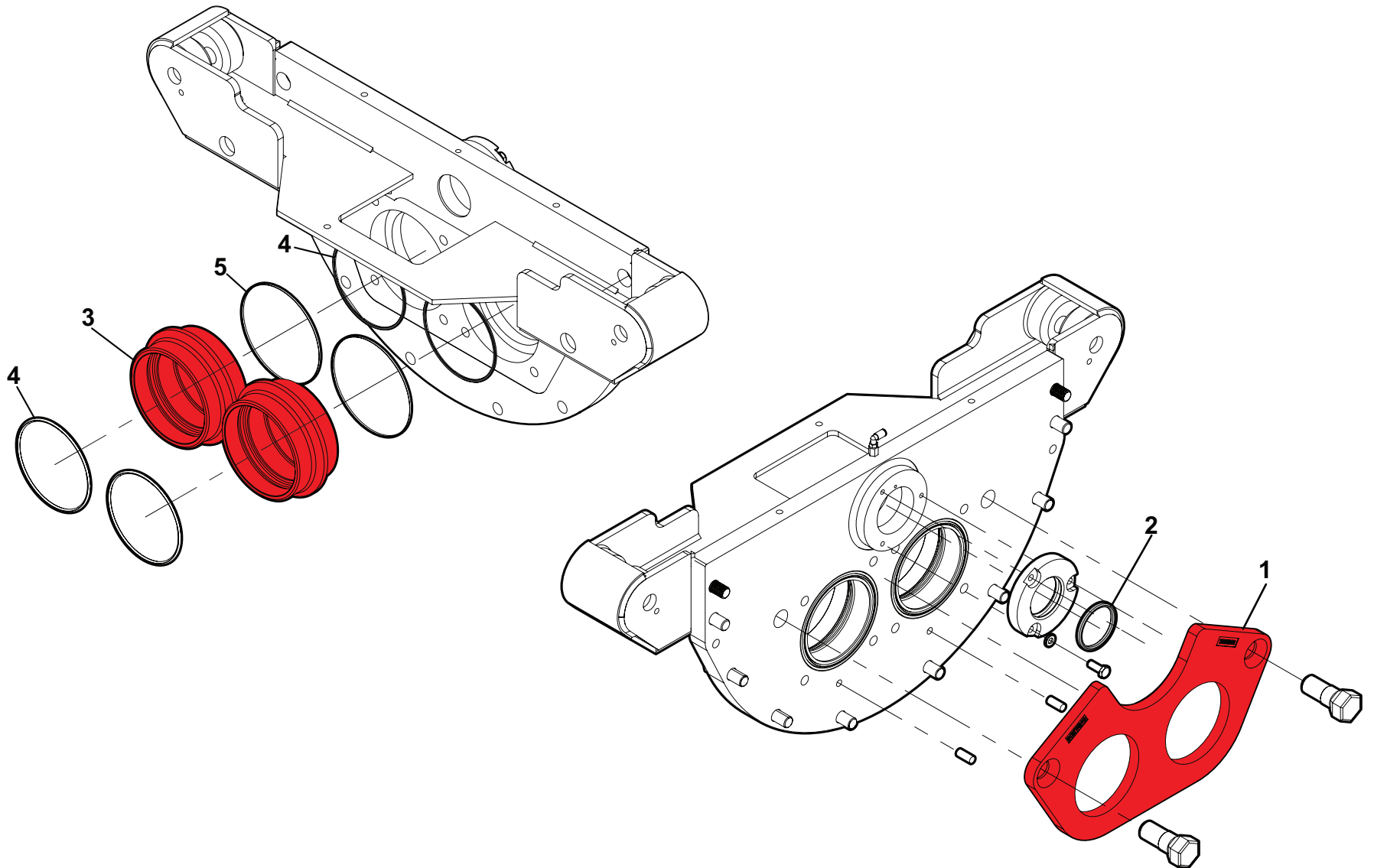
# 98396660 - Assy Housing Front 180mm



 = Wear Parts



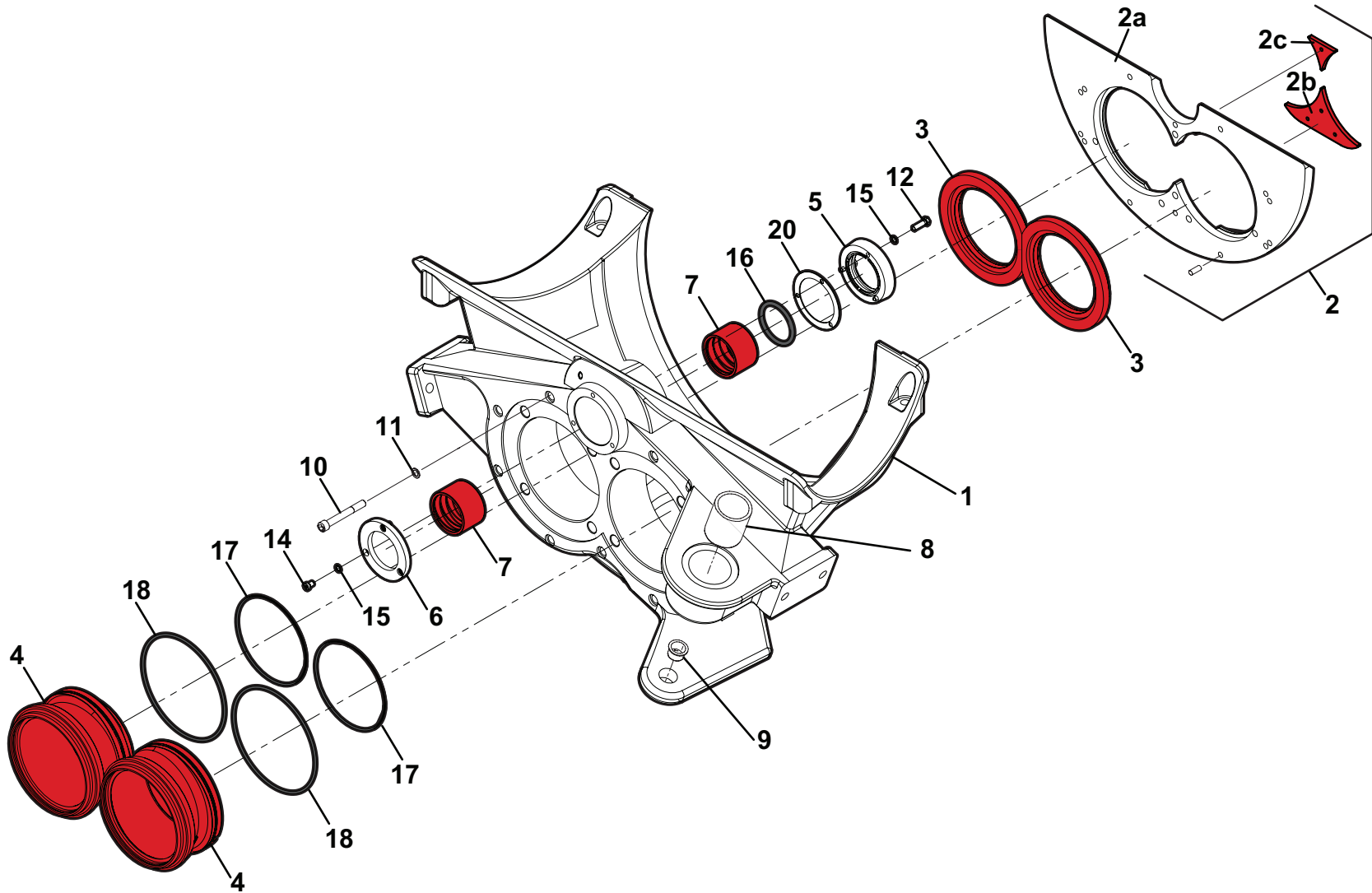
# 98397237 - Assy Housing Front HP



 = Wear Parts



# 10164490 - Rock Valve Housing RMSS-HM



 = Wear Parts

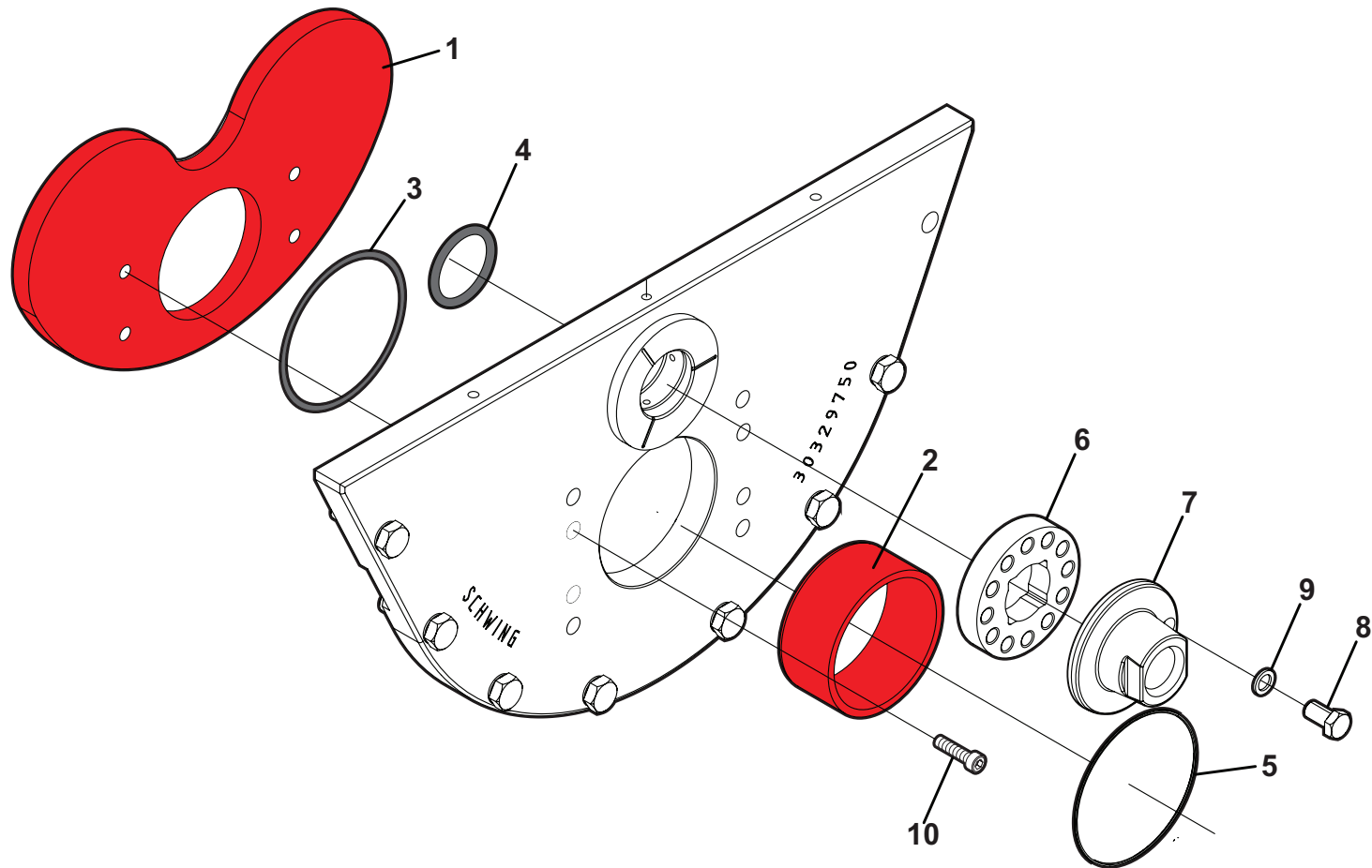
**SP2000**

# 10164490 - M- Rock Valve Housing

www.schwingparts.com   
1- 888-SCHWING (724-9464)

Item	Qty	Description	Part Number
1	1	Housing DN 200/210/180	10155407
2	1	Assy - Base plate DN210 HM	10146062
2a	1	PLT - DN 210 Carbide	10143988
2b	1	Wearing plate DN210 HM I	10146063
2c	1	Wearing plate DN210 HM II	10146064
3	2	Wearing insert DN200/210 HM	10081096
4	2	Transition piece with collar	10077886
5	1	Sealing cover	10018035
6	1	Top cover	10029441
7	2	Bearing bushing D 95/108 x 70	10018037
8	1	Bushing	10060528
9	1	Bushing DU MB 35 30 DU	10006726
10	10	Screw DIN 912 M 16 x125-8.8-VZD	10017437
11	10	Screw retainer SKZ 16-GT320	10139855
12	3	Screw DIN 933 M 10 x 40-10.9-GT500	98418657
14	3	Screw DIN 7984 M 10 x 16-8.8-VZD	10011969
15	6	Schnorr Lock washer S 10-GT500	10032478
16	1	O-Ring 95 x 8 NBR 70	10016241
17	2	O-Ring 207 x 3 NBR 70	10014002
18	2	O-Ring 214 x 5 NBR 80	10000616
20	1	Grooved gasket	98437073

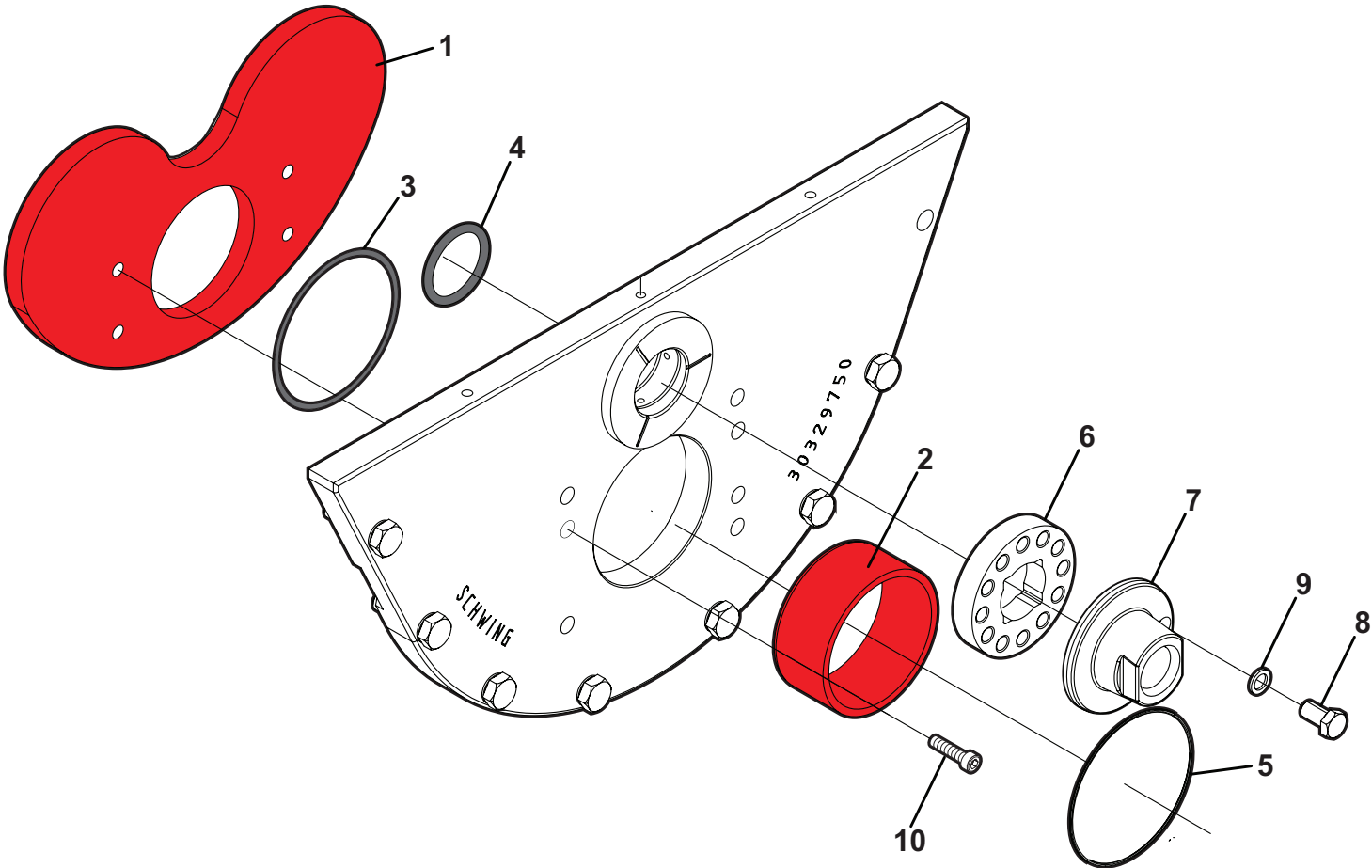
# 98394185 - Housing Rear Long Rock



 = Wear Parts



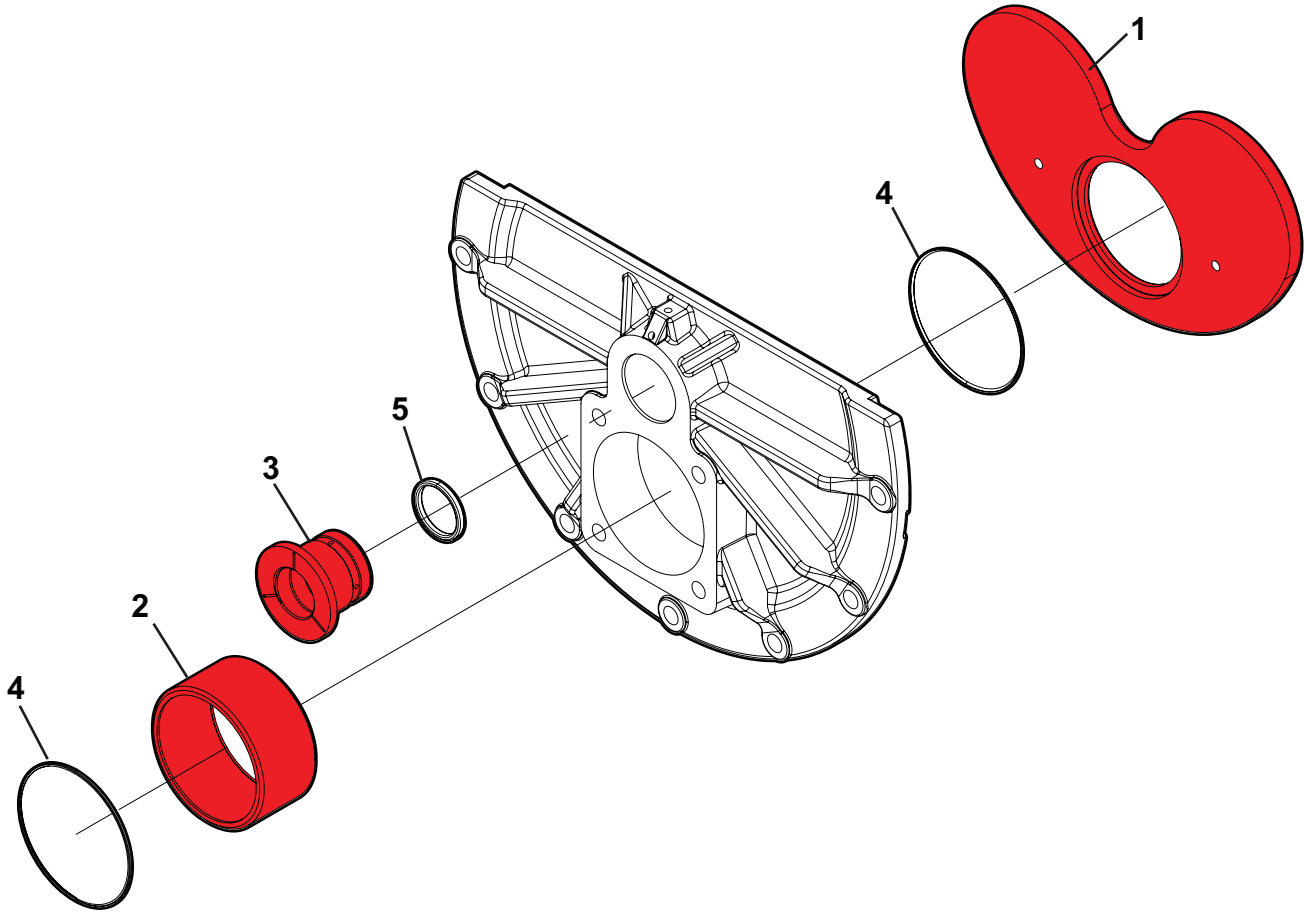
# 98397240 - Housing Rear Short Rock



 = Wear Parts



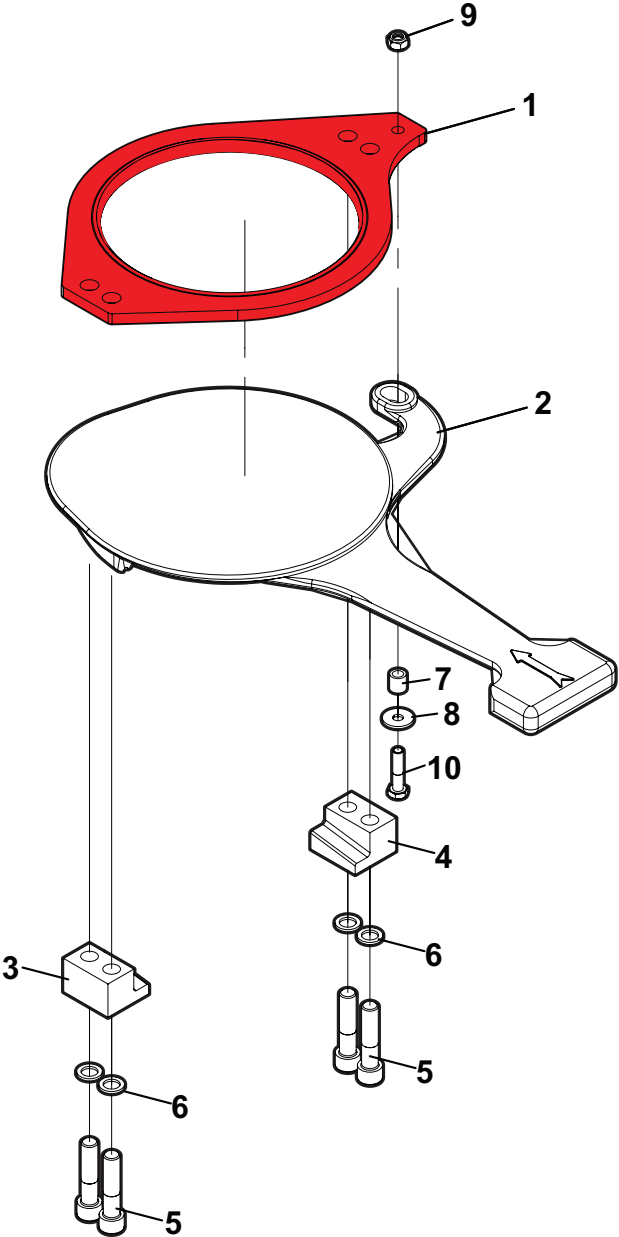
# 10018045 - Assy Cover of Housing DN230/210/180



 = Wear Parts



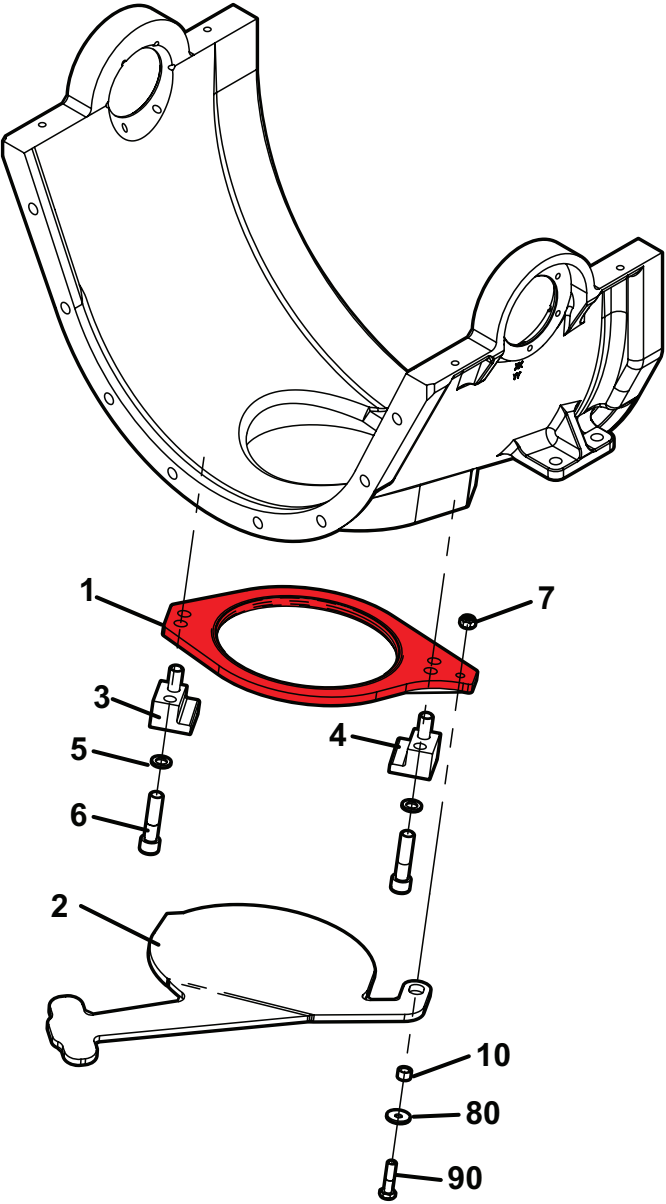
# 10036433 - Discharge Cover



 = Wear Parts



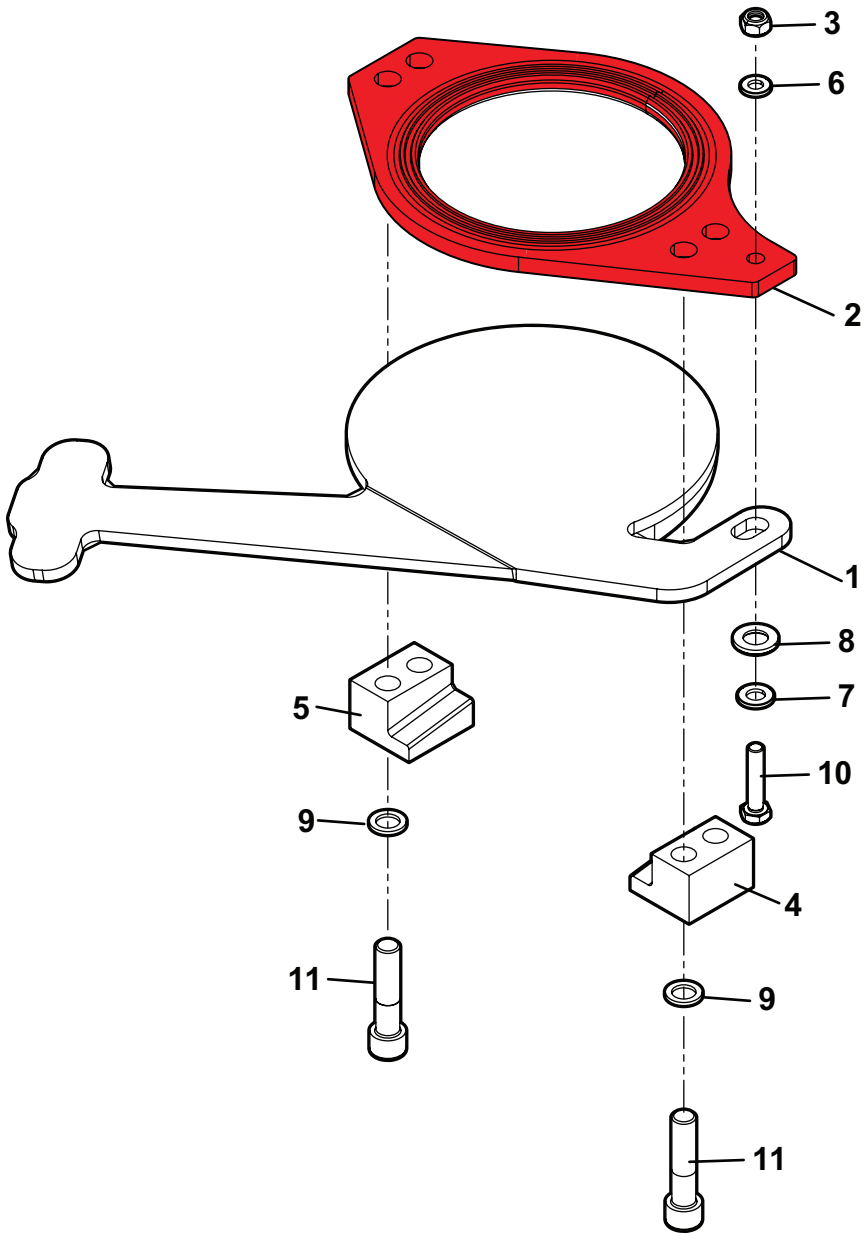
# 98422405 - Assy Long Rock Cleanout Door



 = Wear Parts



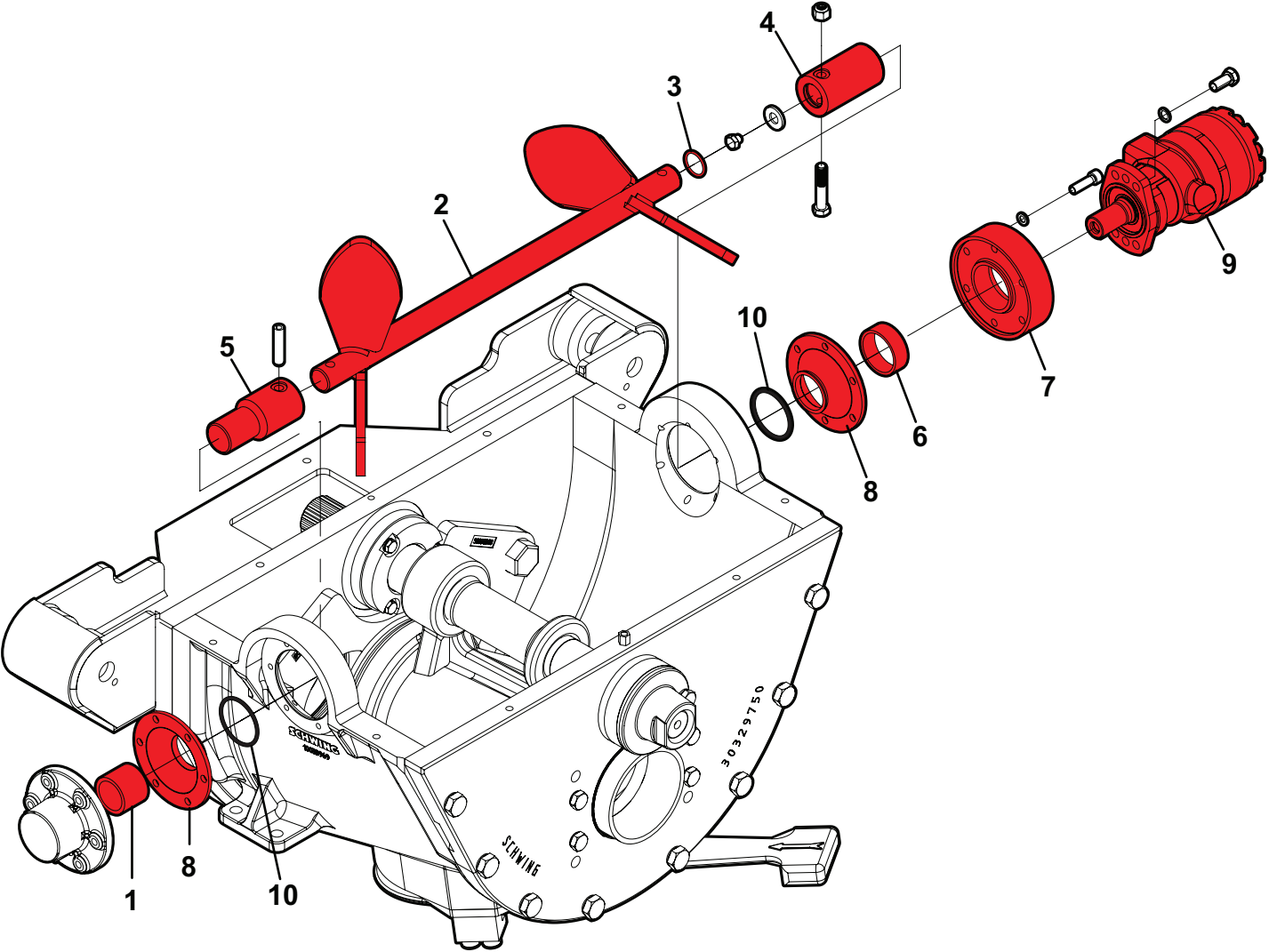
# 98397242 - Cleanout Door Short Rock



 = Wear Parts



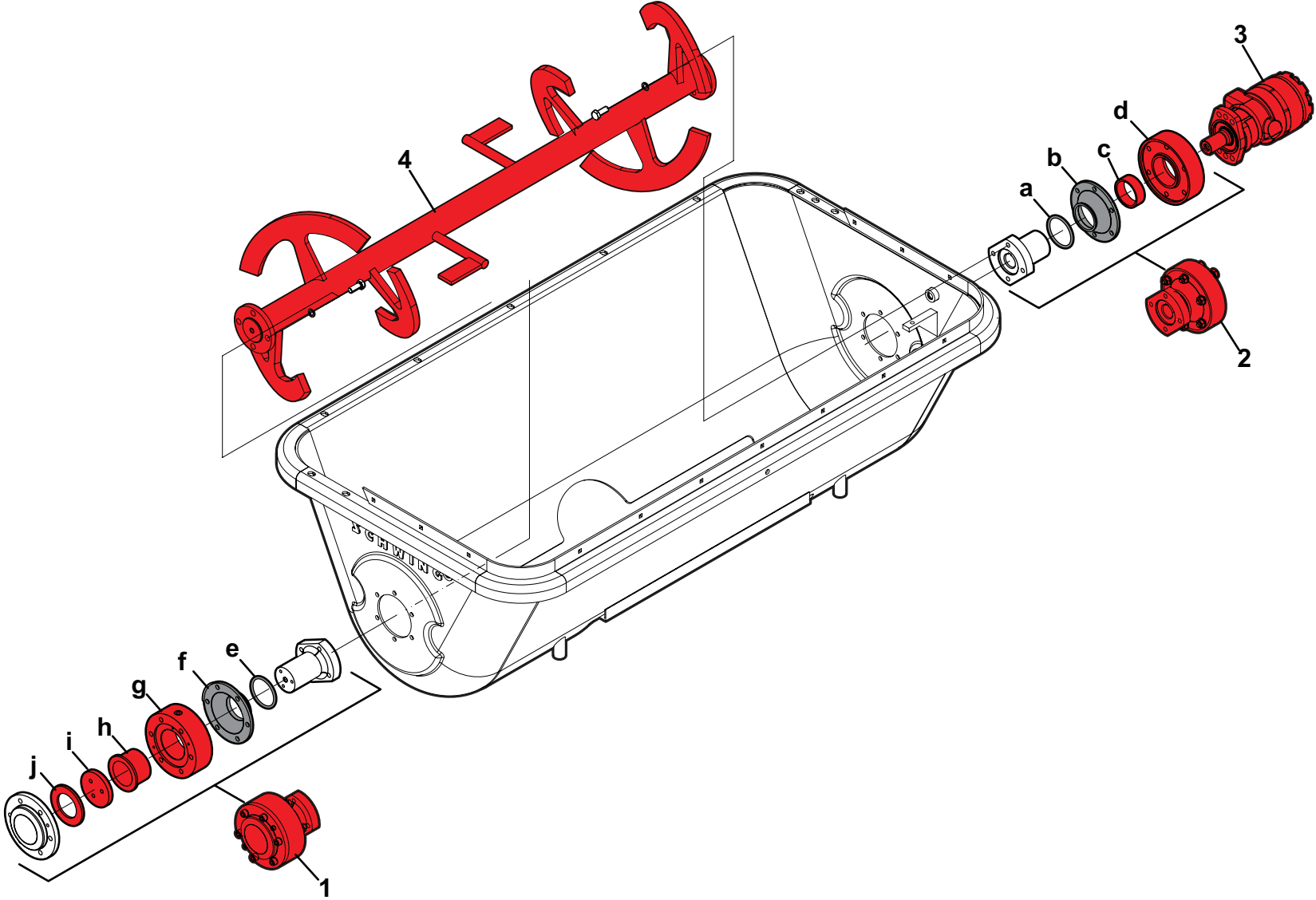
# 98394194 - Assy Agitator SP



 = Wear Parts



# 98394288 - Assy Agitator SP2000



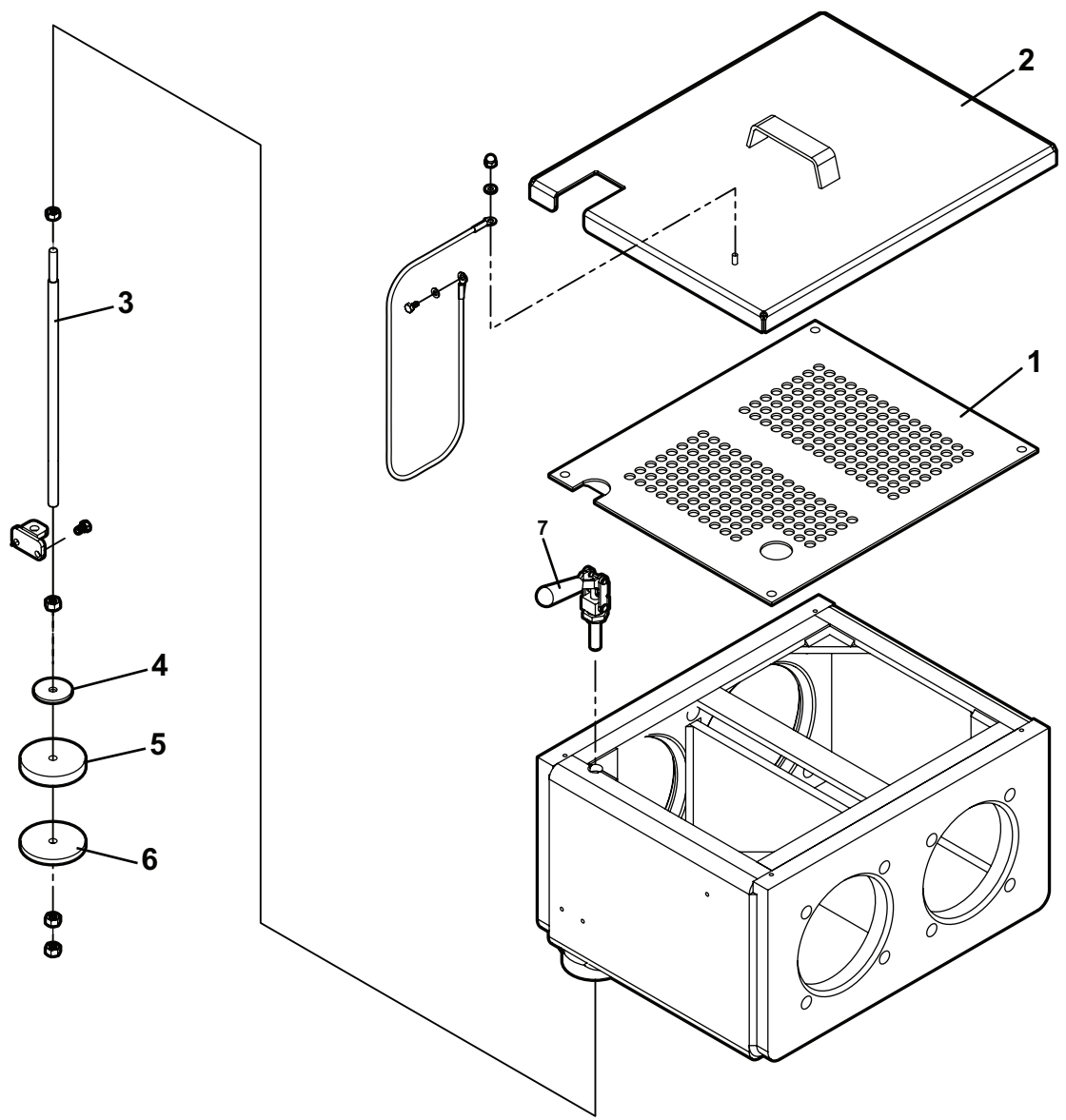
 = Wear Parts

**SP2000**

# 98394288 - Assy Agitator SP2000

Item	Qty	Description	Part Number
1	1	ASSY - Agitator support (glange ASSY)	10061073
a	1	O-Ring 60 x 5	10000765
b	1	Sealing Cone	10061076
c	1	Bushing D 60/80 x 23	10061077
d	1	Bearing	10061074
2	1	ASSY - Agitator support (driving side)	10061072
e	1	O-Ring 60 x 5	10000765
f	1	Sealing Cone	10061076
g	1	Bearing	10061078
h	1	Bushing	10061082
i	1	Disc	10061081
j	1	Disc	10061083
3	1	Hydraulic motor 465 ccm/U	98400960
4	1	AGITATOR SHAFT M-ROCK (PAINTED)	98409863

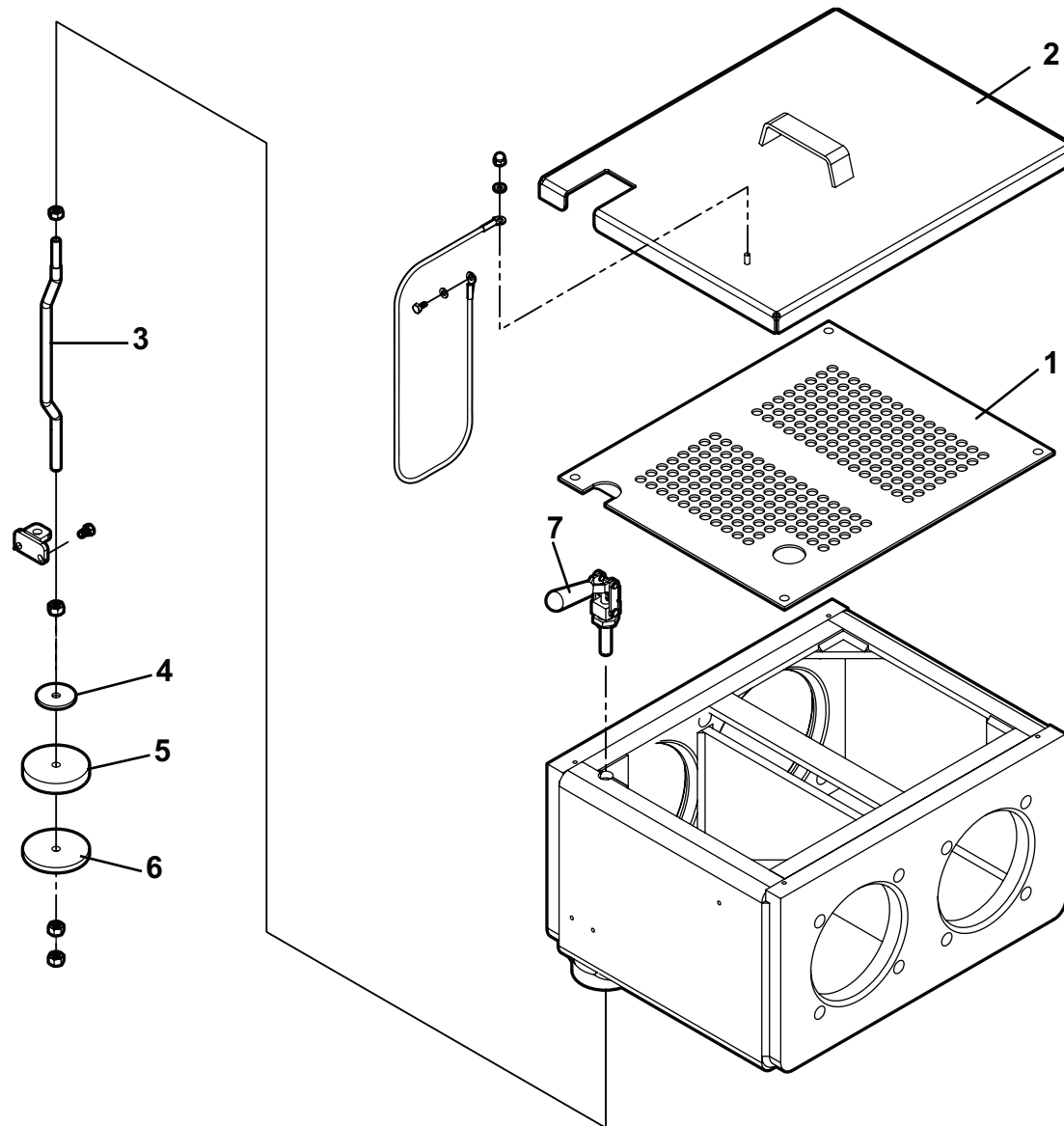
# 98394124 - Assy Waterbox 6" Drain



 = Wear Parts



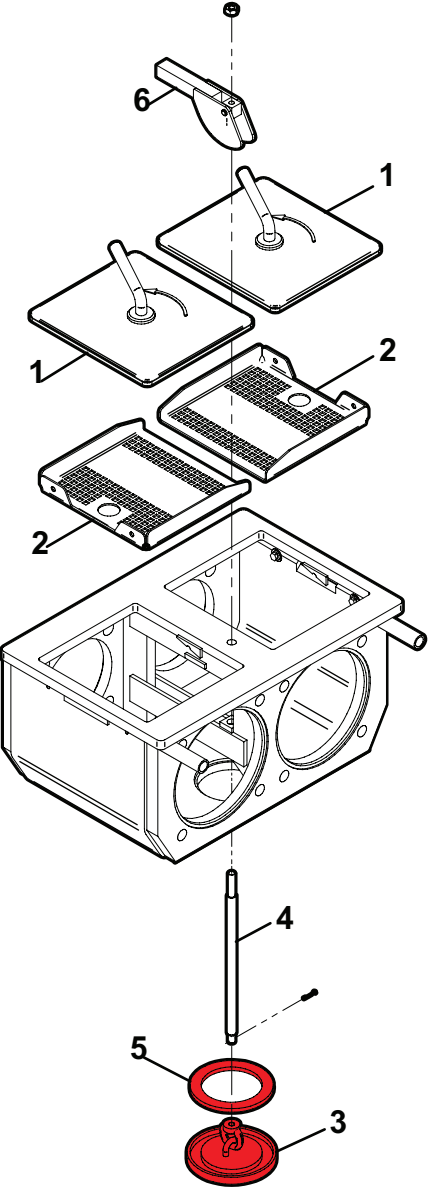
# 98396681 - Assy Waterbox 7" Drain



 = Wear Parts



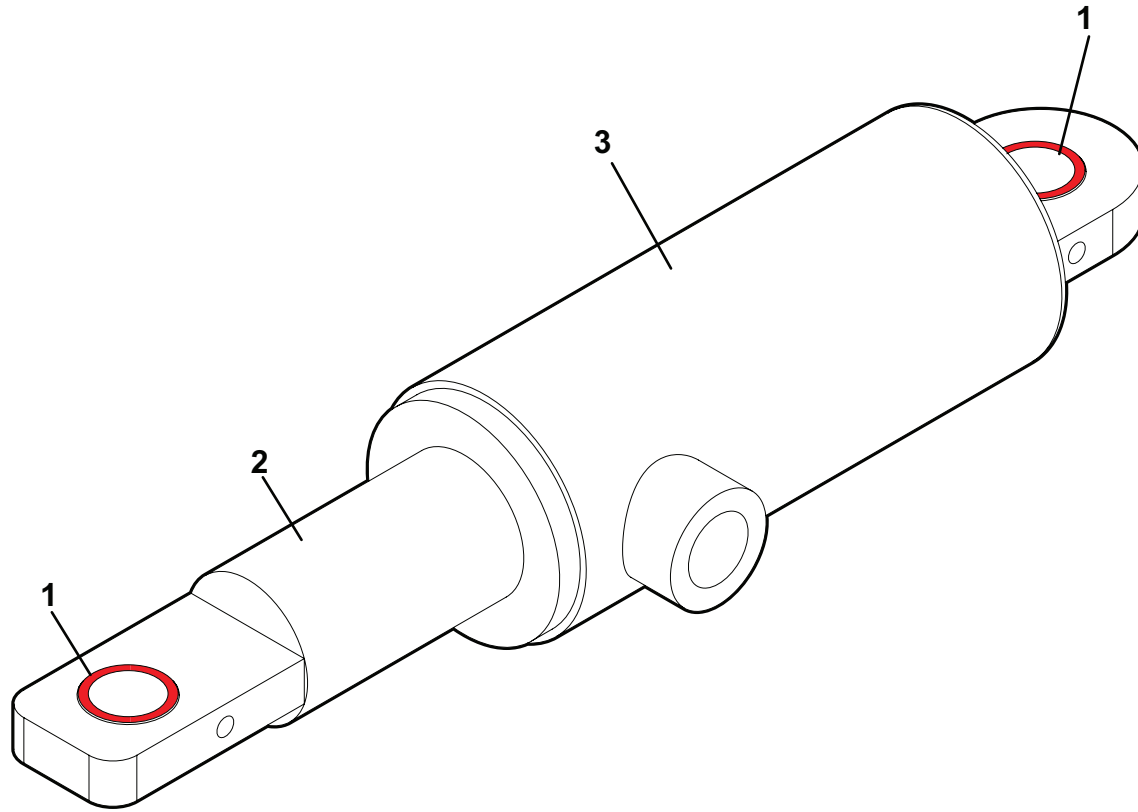
# 98394351 - Assy Waterbox 120/200



 = Wear Parts



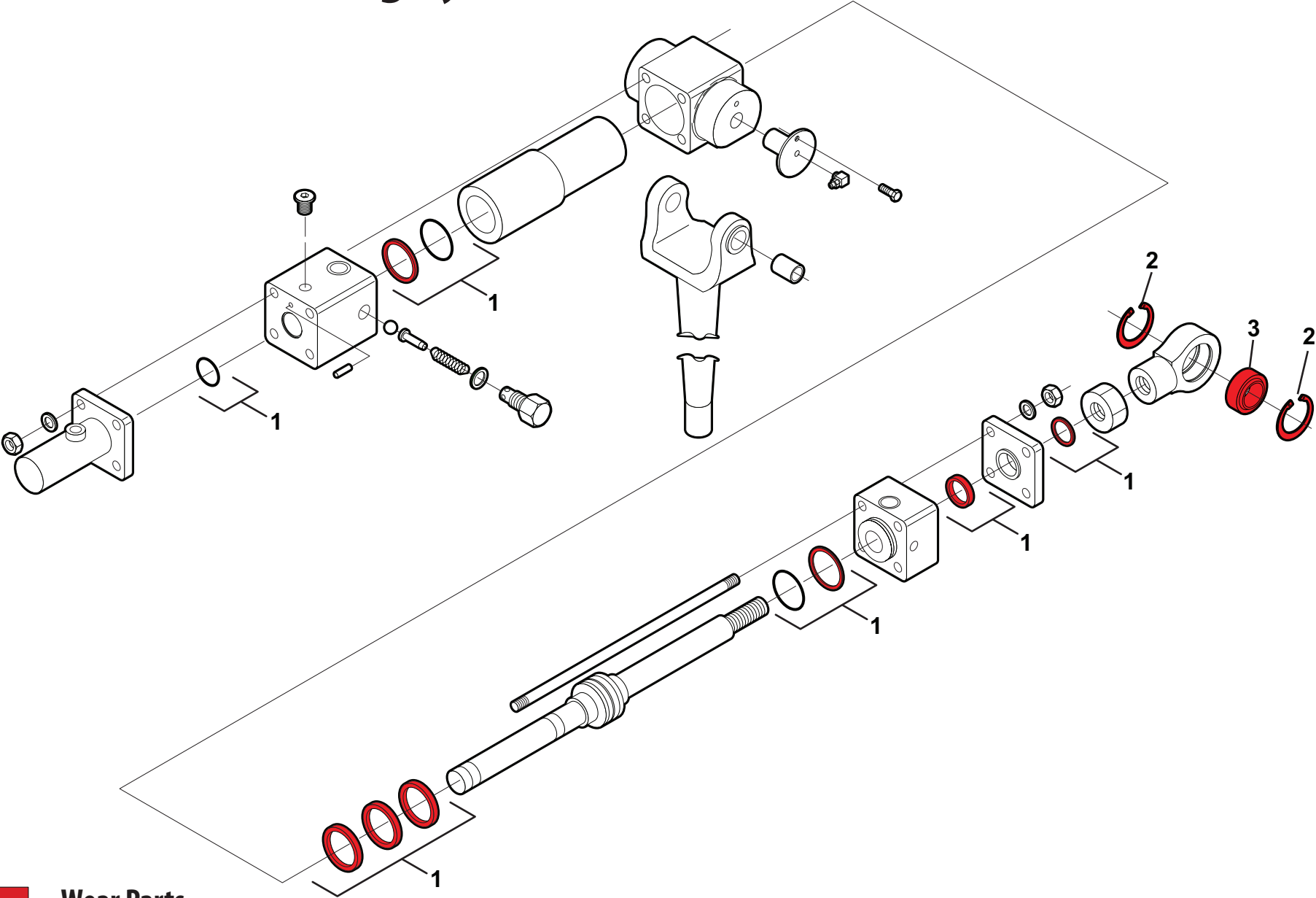
# 30390238 - Cylinder Hyd Slewing Single Action



 = Wear Parts



# 10094569 - Slewing Cylinder



 = Wear Parts



