


**GENUINE
SCHWING
PARTS** 

Pumpkit Reference Guide
Keep it safe, keep it Schwing!

www.schwingparts.com

Phone: 888-SCHWING (724-9464)

Fax: 651-429-2112

How to Order Parts

To place an order for spare parts, you can order on line at **schwingparts.com** , or you can call our toll free parts line from anywhere in the continental United States, except Minnesota. Parts department hours are Monday through Friday, 6:00 AM to 6:00 PM (central time).

Orders will also be accepted via fax, 24 hours/day.

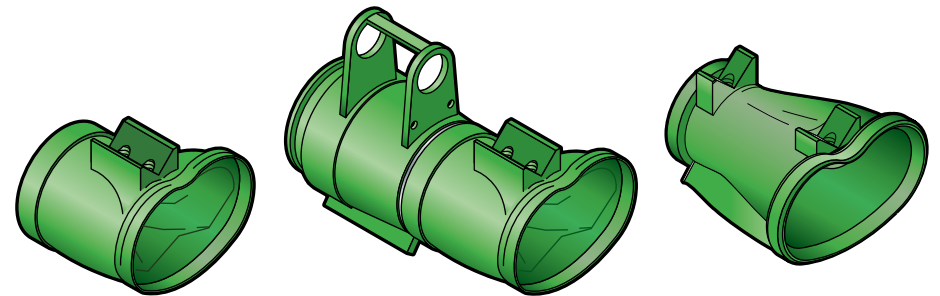
Phone:
1- 888-SCHWING (724-9464) or (800) 328 - 9635

Fax:
(651) 429 - 2112

Whenever you call the factory for spare parts or service, have the unit model number handy. You can find the model and serial number on the ID tag that is mounted to the subframe of the unit.

The main ID tag gives information about the entire unit, the pumpkit, the hydraulic systems, and the year of manufacture. The unit serial number is stamped into the subframe immediately below this tag.

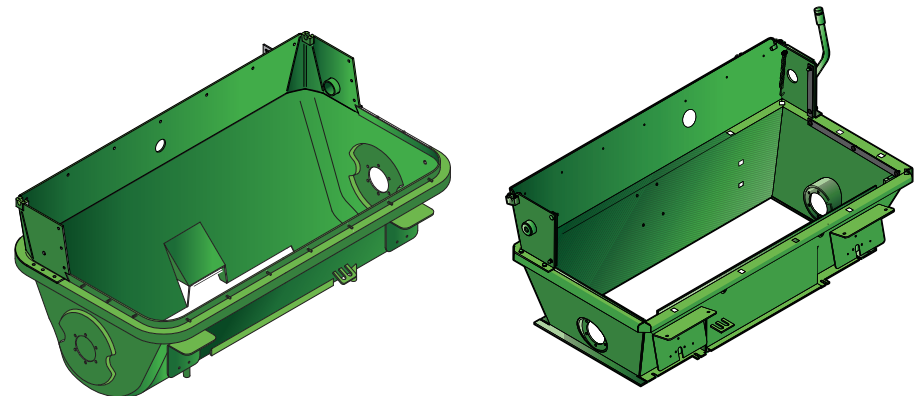
ROLL AND FOLD® BOOM U.S. PATENT 3,685,543		PRESSURE & WEIGHT INFORMATION INFORMACIÓN DE PRESIÓN Y PESO		WARNING! ¡ADVERTENCIA!	
SCHWING AMERICA INC. White Bear, Minnesota phone: (651) 429-0999 www.schwing.com		PUMPKIT MODEL: MODELO PUMPKIT:	120/85 x 2500 : 250	Pipeline wears with each pump stroke. Check pipewall thickness regularly! See manuals. La tubería se desgasta con cada carrera de la bomba. Compruebe con regularidad el espesor de las paredes de los tubos. Consulte los manuales.	
YEAR: AÑO:	2008	When configured for ROD side pumping, this unit will produce a maximum material pressure of: Cuando está configurada para bombear del lado de la BIELA, esta unidad producirá una presión de material máxima de:	N/A	Maximum pressure in boom hyd. system: 350 bar La presión máxima del sistema hidráulico de la pluma: 350 barías	
BOOM MODEL: MODELO DE PLUMA:	S39SX	When configured for PISTON side pumping, this unit will produce a maximum material pressure of: Cuando está configurada para bombear del lado del PISTON, esta unidad producirá una presión de material máxima de:	1169	Maximum total weight of system components hanging from boom, (lbs): El peso máximo total de los componentes del sistema que cuelgan de la pluma: (libras):	
SERIAL NUMBER: NÚMERO DE SERIE:	3900700	Maximum weight of boom pipeline WITHOUT CONCRETE is: El peso máximo de la tubería de la pluma SIN CONCRETO es de:	10.14	LENGTH of the MAKE UP PIPES (See parts book for standard lengths) LARGO de las TUBERÍAS NECESARIAS (Consulte el libro de repuestos para ver los largos estándar)	
		Maximum weight of boom pipeline INCLUDING CONCRETE is: El peso máximo de la tubería de la pluma INCLUIDO EL CONCRETO es de:	29.57	MAIN principal	2660
		Maximum allowable bulk density of material to be pumped is: 150 Pounds per cubic foot. La densidad máxima admisible a granel del material a ser bombeado es de: 150 libras por pie cúbico		2nd	1370
				3rd	720
				4th	



M-Rock

E-Rock

B-Rock



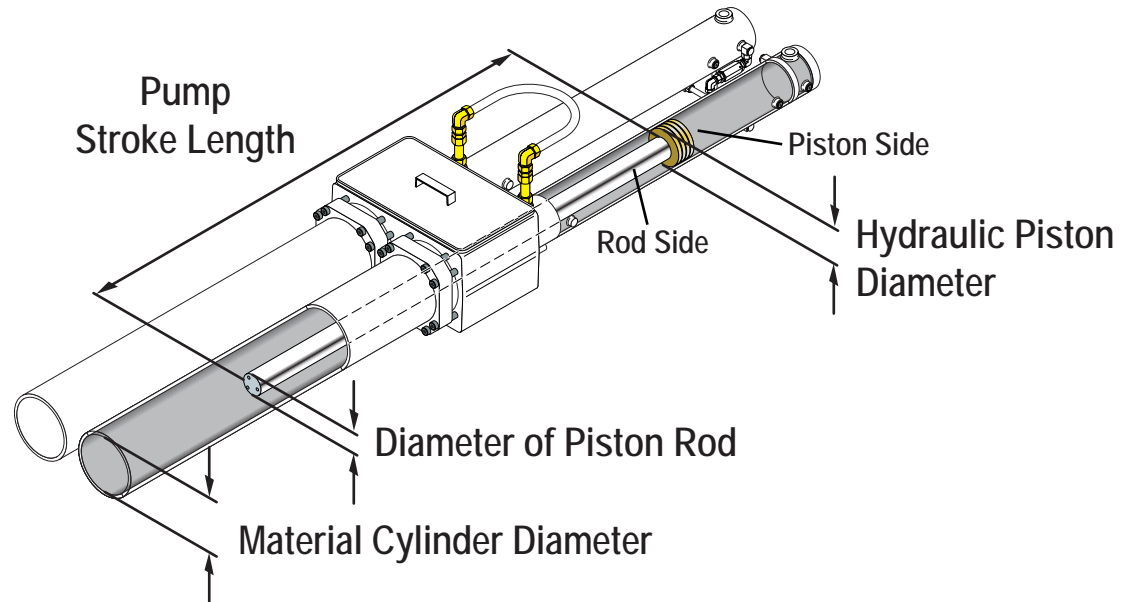
M-Rock Hopper

E/B-Rock Hopper

Schwing America 5900 Centerville Rd White Bear, MN 55127 Phone: 651-429-0999 www.schwing.com		SUBSIDIARY OF SUBSIDIARIA DE		Schwing GmbH Heerstrasse 9-27 D-44653 Herne / Germany Phone +49-2325-987-0 www.schwing.de	
This product is covered by one or more U.S. patents - see patent decal /Este producto está cubierto por una o más patentes de Estados Unidos-vea la etiqueta					
MODEL MODELO	2525H-6/S39SX	SERIAL # # DE SERIE	3900700	YEAR AÑO	2008
Material Pressure Presión del Material	1169	P.S.I. bar	Strokes Per Minute Emboladad Máximas por minuto	18	MAX.
HYDRAULIC PRESSURES/PRESIONES HIDRAULICAS					
Concrete Pump / Bomba De Concreto	5075	P.S.I. bar	Boom Pluma	4495	P.S.I. bar
	350	bar	Accumulator El Acumulador	2900	P.S.I. bar
			Agitator El Agitador	2900	P.S.I. bar
			Cooler Enfriador	145	P.S.I. bar
				10	bar

Nomenclature

- 2020-4** 20= 2000 mm stroke
20= 200 mm (8") Material Cylinder
-4= 450 L/M Hydraulic Oil
- 2023-5** 20= 2000 mm stroke
23= 230 mm (9") Material Cylinder
-5= 535 L/M Hydraulic Oil
- 2525-6H** 25= 2500 mm stroke
25= 250 mm (10") Material Cylinder
-6= 636 L/M Hydraulic Oil
H= High Pressure (Piston Side)



Example:

BPL 2525H-5 120/85 MPS (TC)

BPL = Truck mounted concrete pump
(Beton Pumpe Lastkraftwagen)

25 = Pump stroke length in hundreds millimeters

25 = Material cylinder diameter in centimeters

H = Configured to run on piston side

5 = Approximate flow of hydraulic oil
(hundreds of litres per min.)

120 = Differential cylinder diameter (mm)

85 = Piston rod diameter (mm)

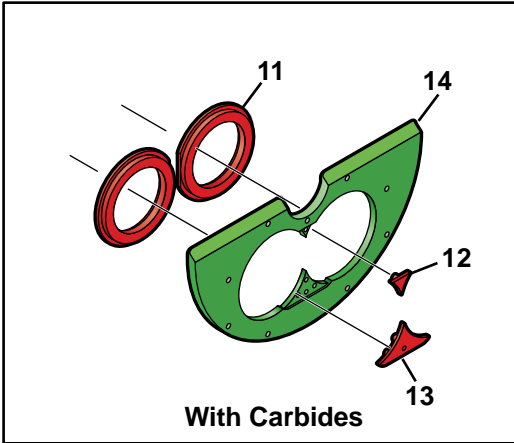
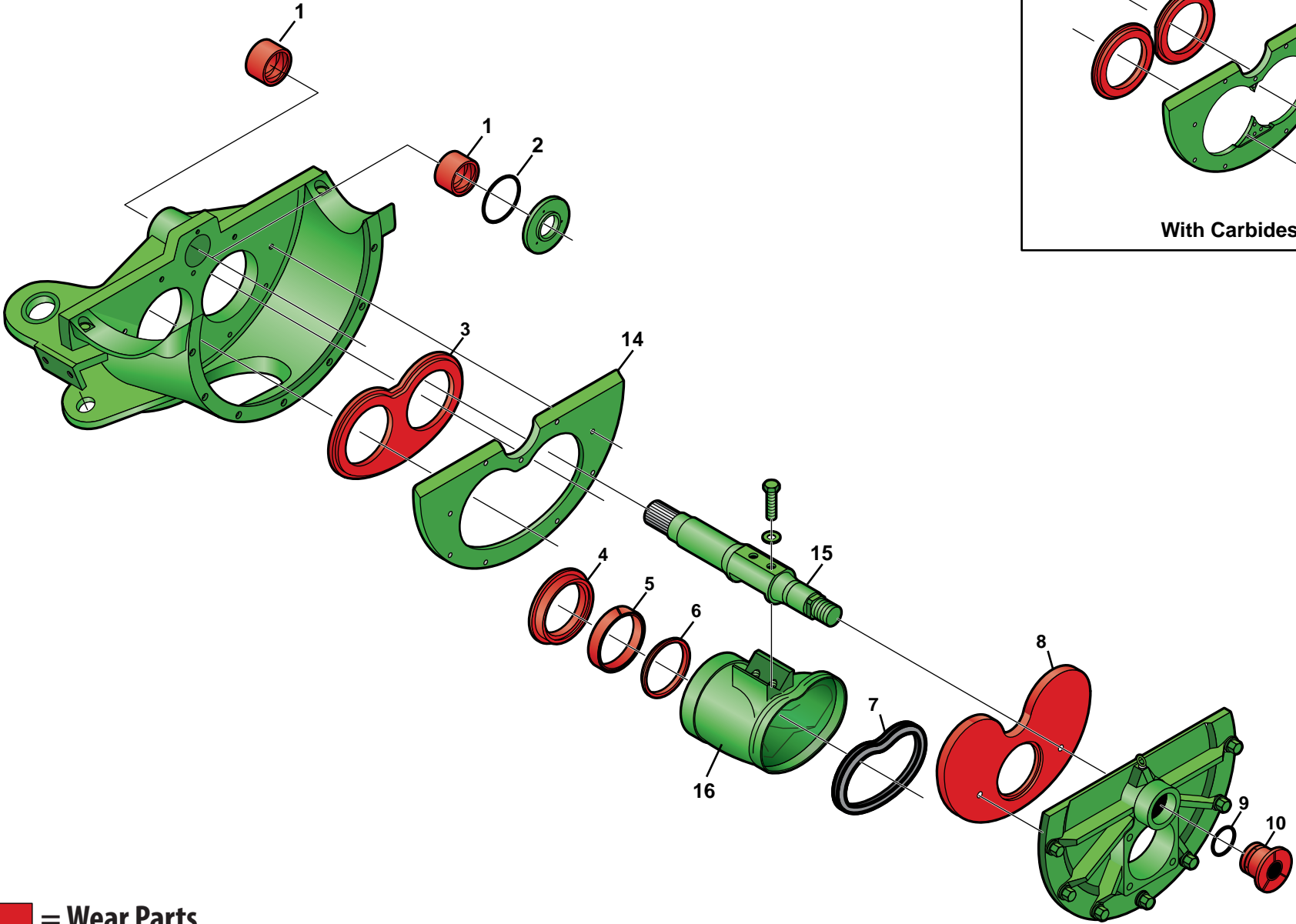
MPS = Twin circuit pumpkit w/multi port shifting

SC = Single circuit pumpkit

TC = Twin circuit pumpkit

BPL PUMPS	MATERIAL CYLINDER (Diameter)	DIFFERENTIAL CYLINDER (Diameter)	STROKE LENGTH
1418-2.5 80/55 MPS	7" (180mm)	3.14" (80mm)	55" (1400mm)
1620-3 120/80 SC	8" (200mm)	4.7* (120mm)	63" (1600mm)
2020-4 120/80 SC	8" (200mm)	4.7 (120mm)	79" (2000mm)
2020-4 125/80 SC		4.9 (125mm)	79" (2000mm)
2020-4 130/80 SC		5.1 (130mm)	79" (2000mm)
2023-3 110/75 SC		4.3 (110mm)	79" (2000mm)
2023-4 120/80 SC	9" (230mm)	4.7 (120mm)	79" (2000mm)
2023-4 125/80 SC		4.9 (125mm)	79" (2000mm)
2023-4 130/80 SC		5.1 (130mm)	79" (2000mm)
2023-4 130/80 MPS		5.1 (130mm)	79" (2000mm)
2023-5 130/80 MPS	9" (230mm)	5.1 (130mm)	79" (2000mm)
2023H-6 120/80 MPS	9" (230mm)	4.7 (120mm)	79" (2000mm)
2025-5 120/80 MPS	10" (250mm)	4.7 (120mm)	79" (2000mm)
2525H-5 120/85 SC	10" (250mm)	4.7 (120mm)	98" (2500mm)
2525H-5 120/85 MPS	10" (250mm)	4.7 (120mm)	98" (2500mm)
2525H-6 120/85 MPS	10" (250mm)	4.7 (120mm)	98" (2500mm)

M-Rock Assembly 8"/9"

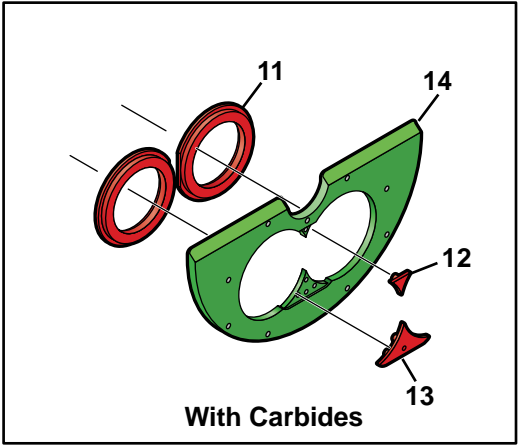
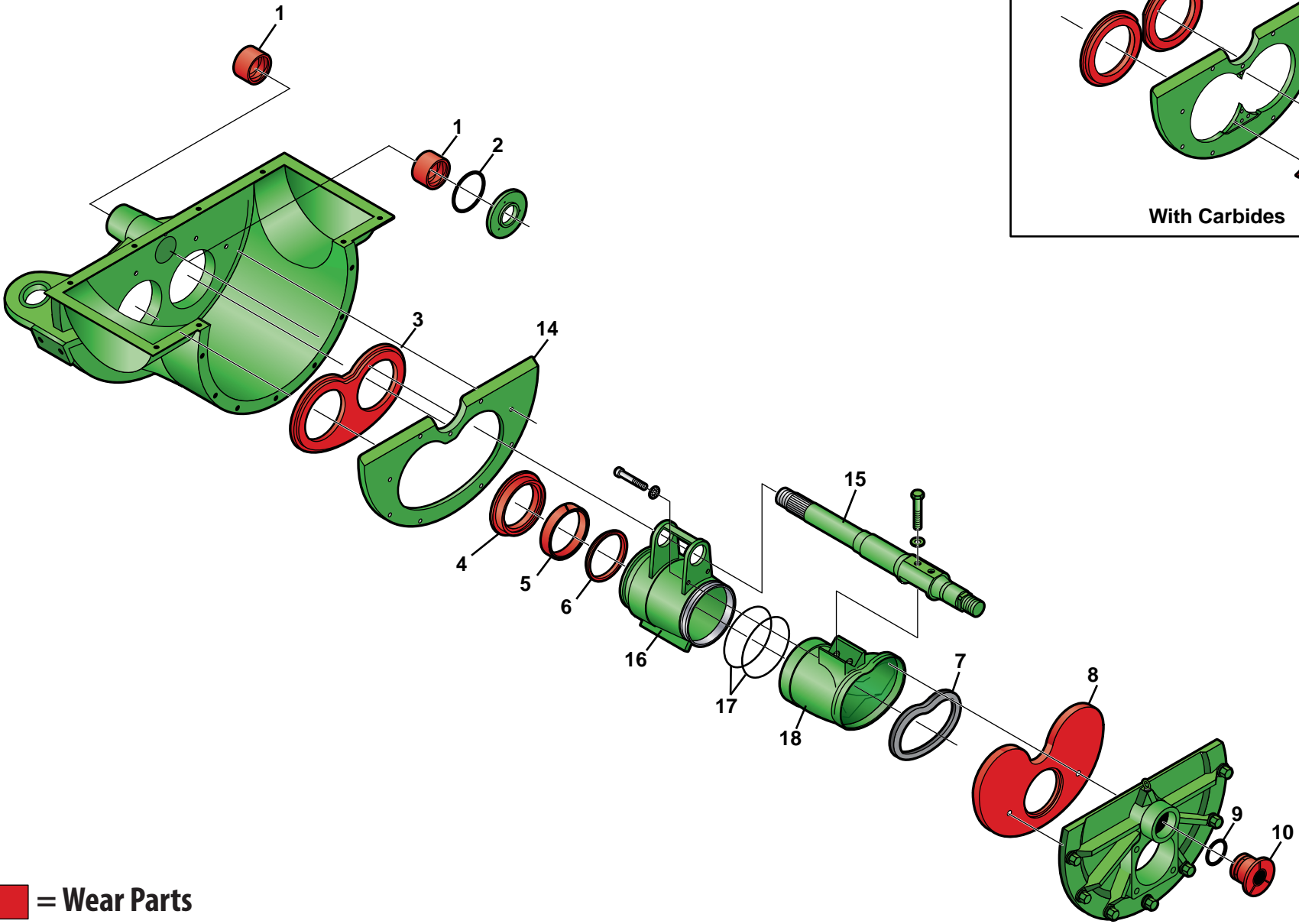


 = Wear Parts

M-Rock Assembly 8"/9"

Item	Qty	Description	Part Number
1	2	Bearing Bushing	10018037
2	1	O-Ring 95 x 8	10016241
3	1	Wearing Insert DN 200 (8")	10074767
		Wearing Insert DN 230 (9")	10074768
4	1	Cutting Ring - Non Carbide	10063939
		Cutting Ring - Carbide	10081098
5	1	Pressure Spring	10064472
6	1	Back up Ring DN 210	10158880
7	1	Kidney Seal	10029138
8	1	Outlet Lining (Mirror Plate)	10018046
9	1	O-Ring 70 x 8	10017436
10	1	Bearing Bushing	10018047
11	2	PUMPKIT - ROCK VALVE, INSERT WEAR DN 200 (8")	10081096
		PUMPKIT - ROCK VALVE, INSERT WEAR DN 230 (9")	10081097
12	1	WEAR PLATE SMALL HARDENED used on 10146062	10146064
13	1	WEAR PLATE LARGE HARDENED used on 10146062	10146063
14	1	BASE PLATE, DN 180/200/23 - Non Carbide	10074769
		BASE PLATE, DN 180/200/23 - Carbide	10146062
15	1	SLEWING SHORT ROCK 2 BOLT STYLE SHAFT	10064073
16	1	ROCK VALVE, DN 210/180 M ROCK	10059467

E-Rock Assembly 9"

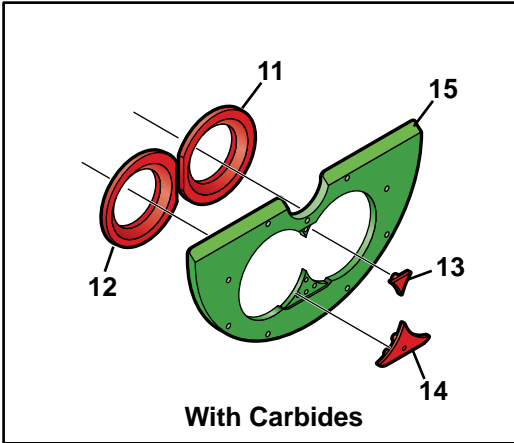
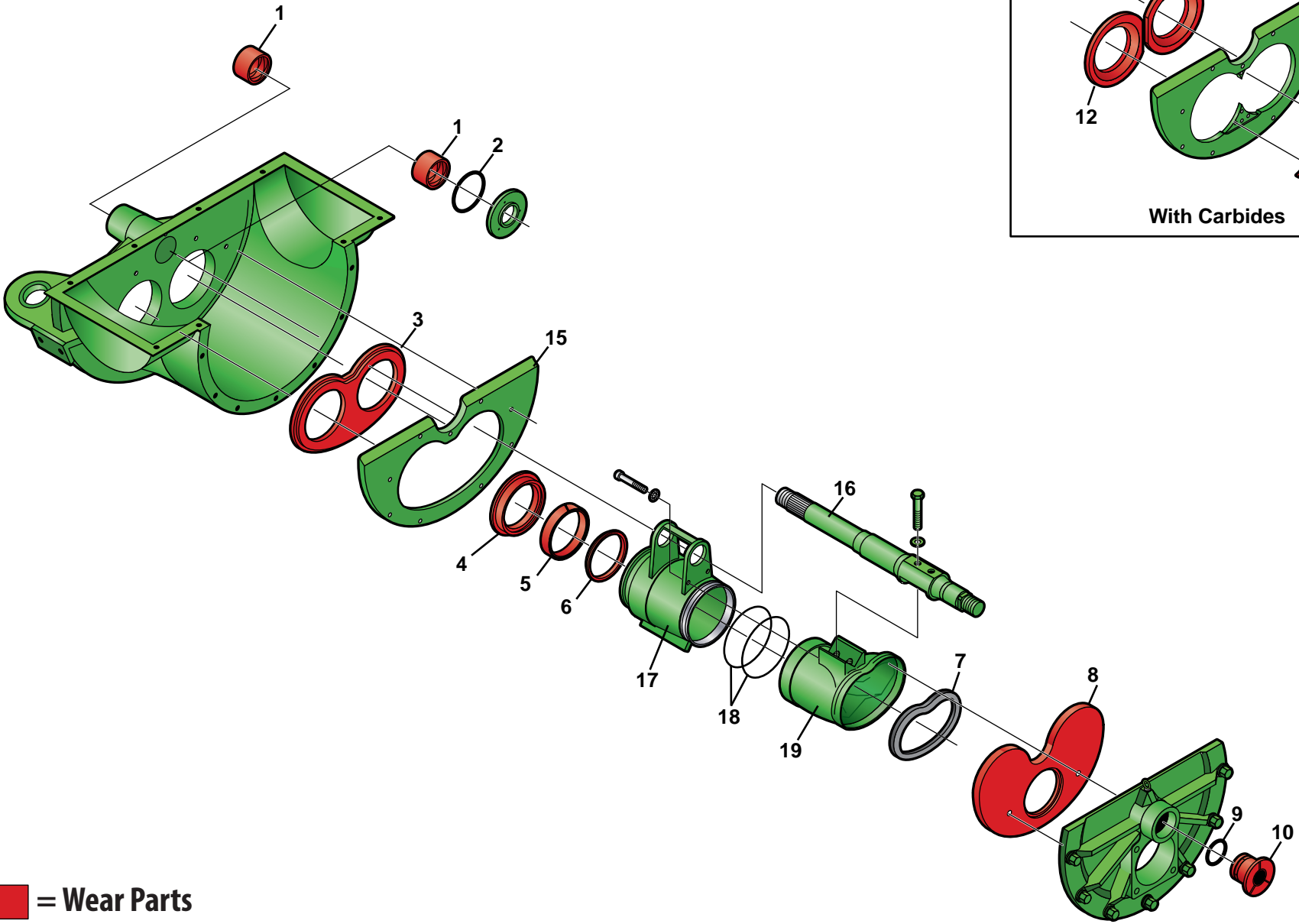


■ = Wear Parts

E-Rock Assembly 9"

Item	Qty	Description	Part Number
1	2	Bearing Bushing	10018037
2	1	O-Ring 95 x 8	10016241
3	1	PUMPKIT - ROCK VALVE, INSERT WEAR DN 230 (9")	10074768
4	1	Cutting Ring - Non Carbide	10063939
		Cutting Ring - Carbide	10081098
5	1	Pressure Spring	10064472
6	1	Back up Ring DN 210	10158880
7	1	Kidney Seal	10029138
8	1	Outlet Lining (Mirror Plate)	10018046
9	1	O-Ring 70 x 8	10017436
10	1	Bearing Bushing	10018047
11	2	PUMPKIT - ROCK VALVE, INSERT WEAR DN 230 (9")	10081097
12	1	WEAR PLATE SMALL HARDENED used on 10146062	10146064
13	1	WEAR PLATE LARGE HARDENED used on 10146062	10146063
14	1	BASE PLATE, DN 180/200/23 - Non Carbide	10074769
		BASE PLATE, DN 180/200/23 - Carbide	10146062
15	1	SHAFT - PIVOT DN 250/230/180RE	10167481
16	1	EXTENSION ROCK DN 210/210	10172037
17	2	O-Ring 238 x 6 NBR 70	10119579
18	1	PUMPKIT - ROCK VALVE, DN 210/180	10059467

E-Rock Assembly 10"

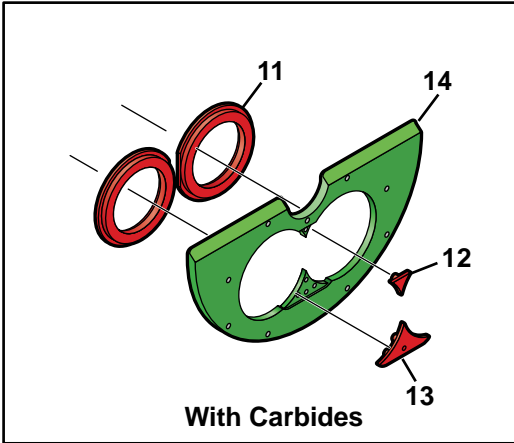
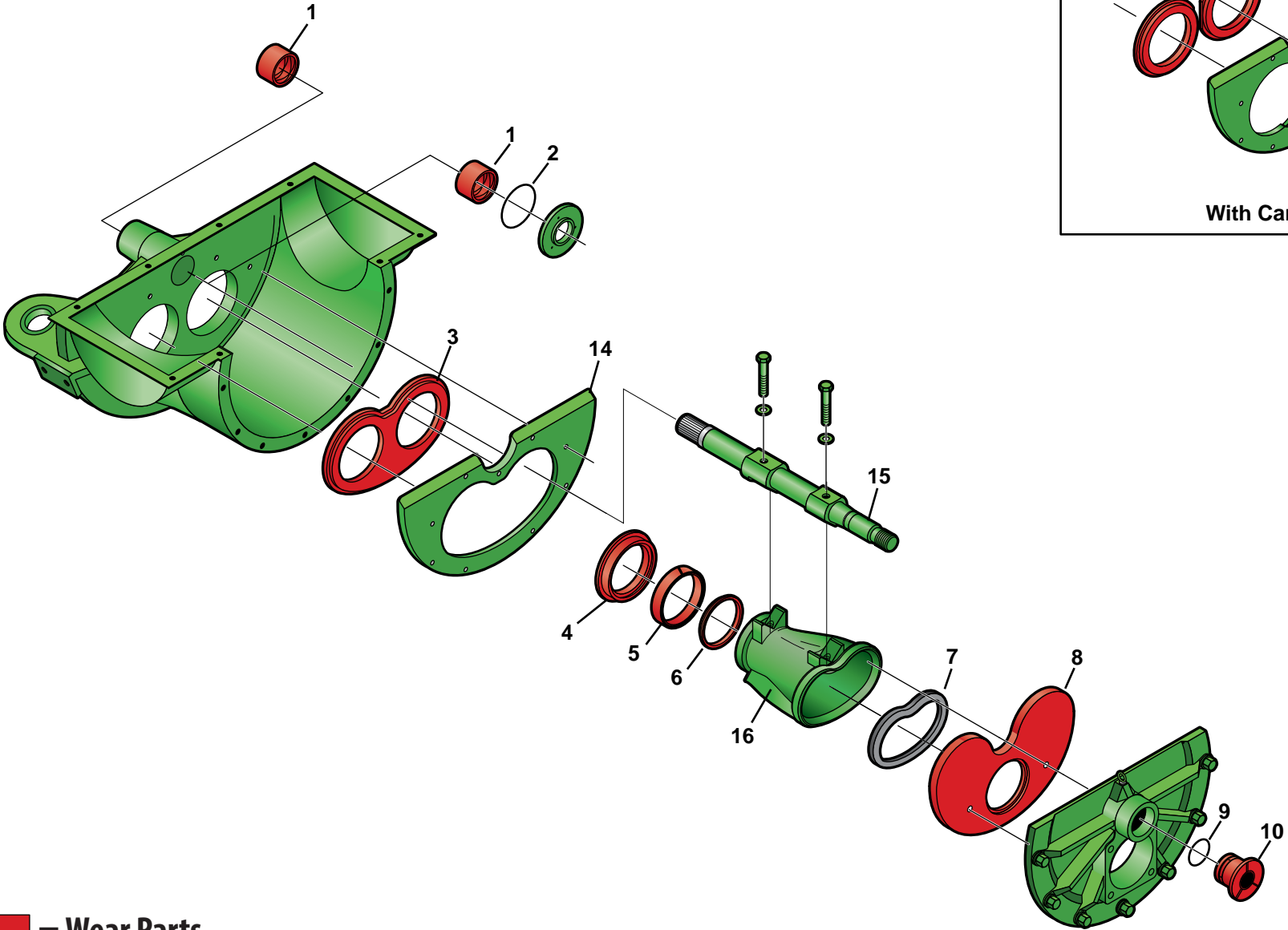


■ = Wear Parts

E-Rock Assembly 10"

Item	Qty	Description	Part Number
1	2	Bearing Bushing	10018037
2	1	O-Ring 95 x 8	10016241
3	1	PUMPKIT - ROCK VALVE, INSERT WEAR DN 250 (10") - Non Carbide	10166658
4	1	Cutting Ring - Non Carbide	10166890
		Cutting Ring - Carbide	10185103
5	1	Pressure Spring	10166975
6	1	Back up Ring DN 230	10166931
7	1	Kidney Seal	10029138
8	1	Base Plate	10018046
9	1	O-Ring 70 x 8	10017436
10	1	Bearing Bushing	10018047
11	1	Wearing Insert DN220 Carbide Right Hand	10190439
12	1	Wearing Insert DN220 Carbide Left Hand	10183355
13	1	Wearing Plate DN220 Small, for Carbide Base Plate 10183638	10183641
14	1	Wearing Plate DN220 Large, for Carbide Base Plate 10183638	10183640
15	1	25MM BASE F/CUTTING RING DN 230 - Non Carbide	10166657
		BASE, CARBIDE, E-ROCK, DN 220 - Carbide	10183638
16	1	SHAFT - PIVOT DN 250/230/180RE	10167481
17	1	EXTENSION ROCK DN 210/210	10172037
18	2	O-Ring 238 x 6 NBR 70	10119579
19	1	PUMPKIT - ROCK VALVE, DN 210/180	10059467

B-Rock Assembly 9"

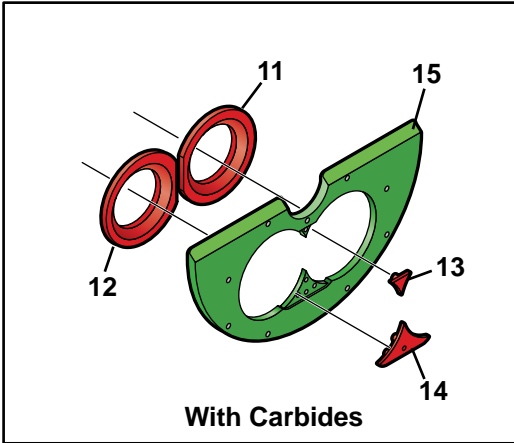
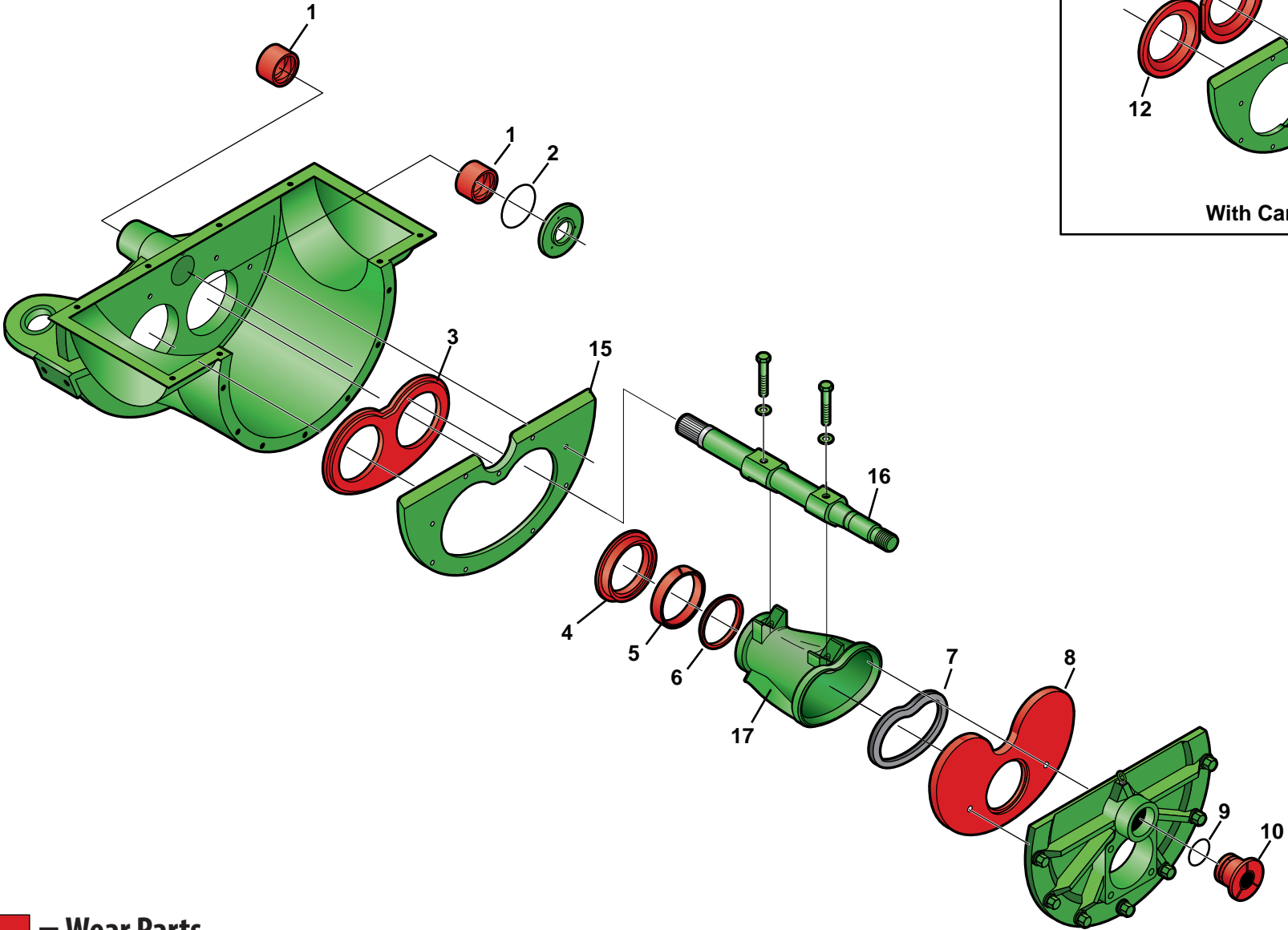


 = Wear Parts

B-Rock Assembly 9"

Item	Qty	Description	Part Number
1	2	Bearing Bushing	10018037
2	1	O-Ring 95 x 8	10016241
3	1	PUMPKIT - ROCK VALVE, INSERT WEAR DN 230 (9") - Non Carbide	10074768
4	1	Cutting Ring - Non Carbide DN 220	10181916
		Cutting Ring - Carbide DN 220	10182449
5	1	Pressure Spring	10181917
6	1	Back up Ring DN 220	10181915
7	1	Kidney Seal	10029138
8	1	Base Plate	10018046
9	1	O-Ring 70 x 8	10017436
10	1	Bearing Bushing	10018047
11	2	PUMPKIT - ROCK VALVE, INSERT WEAR DN 230 (9") - Carbide	10081097
12	1	WEAR PLATE SMALL HARDENED for Carbide Base Plate 10146062	10146064
13	1	WEAR PLATE LARGE HARDENED for Carbide Base Plate 10146062	10146063
14	1	BASE PLATE, DN 180/200/23 - Non Carbide	10074769
		BASE PLATE, DN 180/200/23 - Carbide	10146062
15	1	SHAFT - SLEWING	10180090
16	1	VALVE - ROCK, DN 220/180 (Q9A15)	10181912

B-Rock Assembly 10"



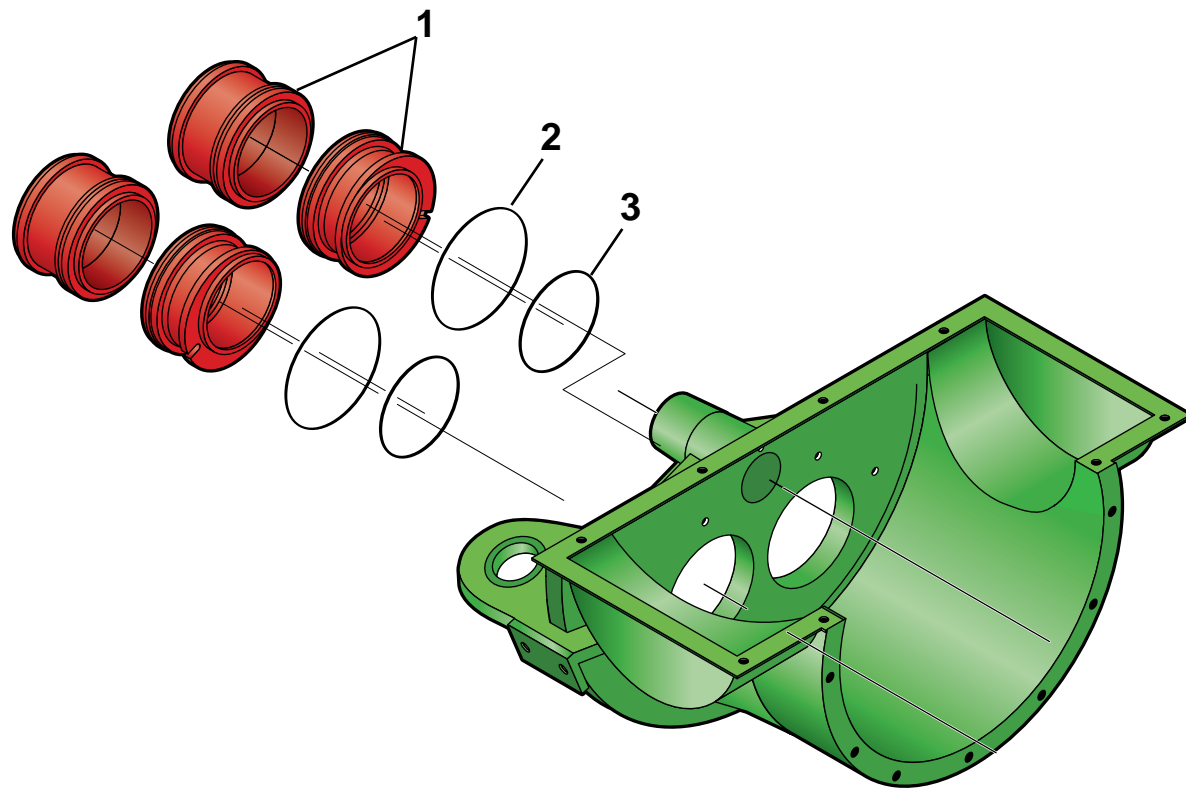
With Carbides

 = Wear Parts

B-Rock Assembly 10"

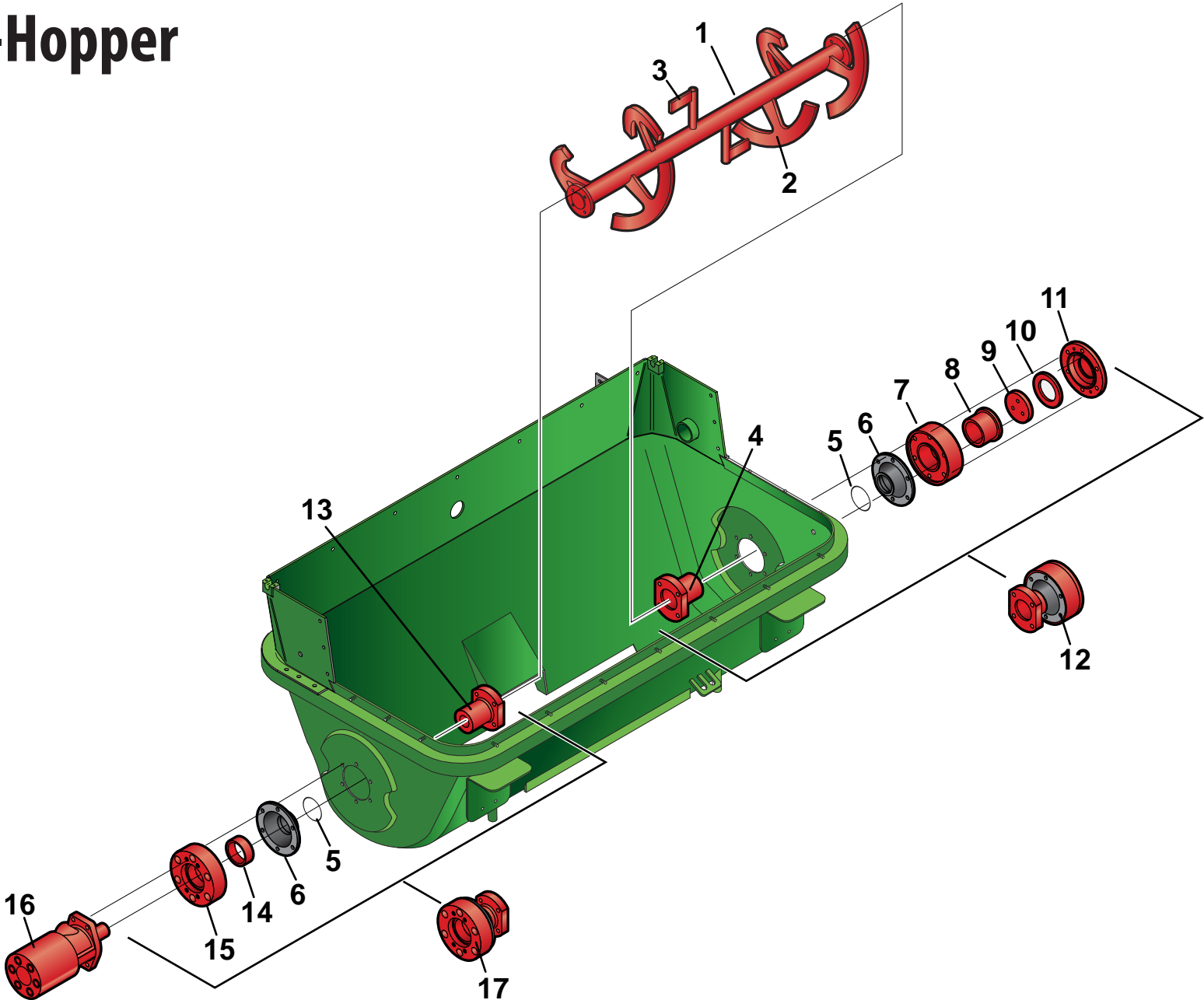
Item	Qty	Description	Part Number
1	2	Bearing Bushing	10018037
2	1	O-Ring 95 x 8	10016241
3	1	PUMPKIT - WEARING INSERT DN 250 - Non Carbide	10181938
4	1	Cutting Ring - Non Carbide	10181916
		Cutting Ring - Carbide	10182449
5	1	Pressure Spring	10181917
6	1	Back up Ring DN 220	10181915
7	1	Kidney Seal	10029138
8	1	Base Plate	10018046
9	1	O-Ring 70 x 8	10017436
10	1	Bearing Bushing	10018047
11	1	Wearing Insert DN220 Carbide Right Hand	10190439
12	1	Wearing Insert DN220 Carbide Left Hand	10183355
13	1	Wearing Plate DN220 Small, for Carbide Base Plate 10183638	10183641
14	1	Wearing Plate DN220 Large, for Carbide Base Plate 10183638	10183640
15	1	25MM BASE F/CUTTING RING DN 230 - Non Carbide	10166657
		BASE PLATE, CARBIDE, E-ROCK, DN 220 - Carbide	10183638
16	1	SHAFT - SLEWING	10180090
17	1	VALVE - ROCK, DN 220/180 (Q9A15)	10181912

M/B/E-Rock Housing Transition Pieces



 = Wear Parts

M Rock-Hopper

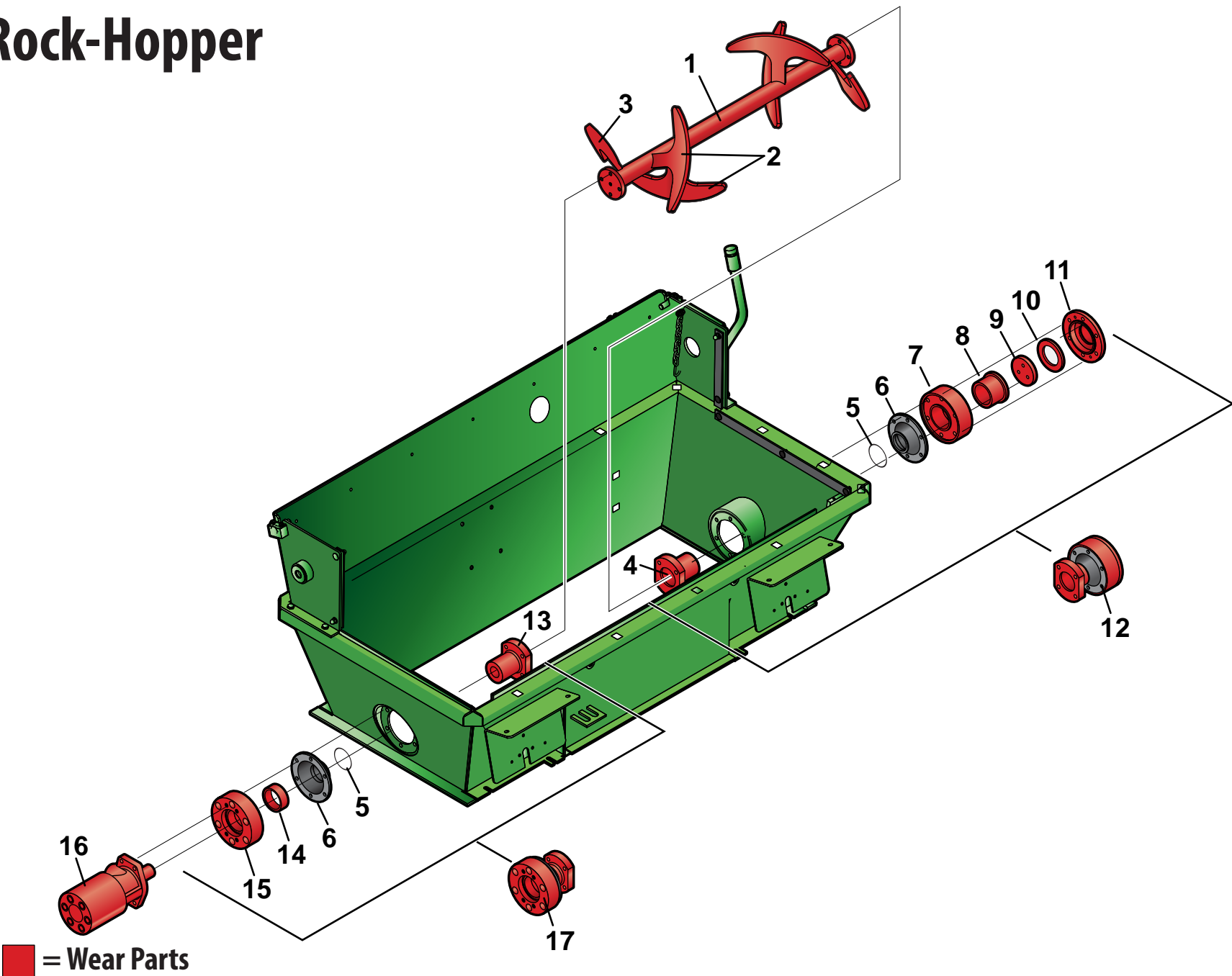


 = Wear Parts

M Rock-Hopper

Item	Qty	Description	Part Number
1	1	Agitator Shaft	10052446
2	4	Agitator Paddle	10052448
3	2	Agitator Paddle	10113515
4	1	Flange RH	10061080
5	2	O-Ring 60 x 5	10000765
6	2	Sealing Cone	10061076
7	1	Bearing	10061078
8	1	Bushing	10061082
9	1	Disc	10061081
10	1	Disc	10061083
11	1	Bearing Cover	10061079
12	1	Agitator Bearing RH Assembly	10061073
13	1	Flange LH	10061075
14	1	Bushing D 60/80 x 23	10061077
15	1	Bearing	10061074
16	1	Agitator Motor	10039180
17	1	Agitator Bearing LH Assembly	10061072

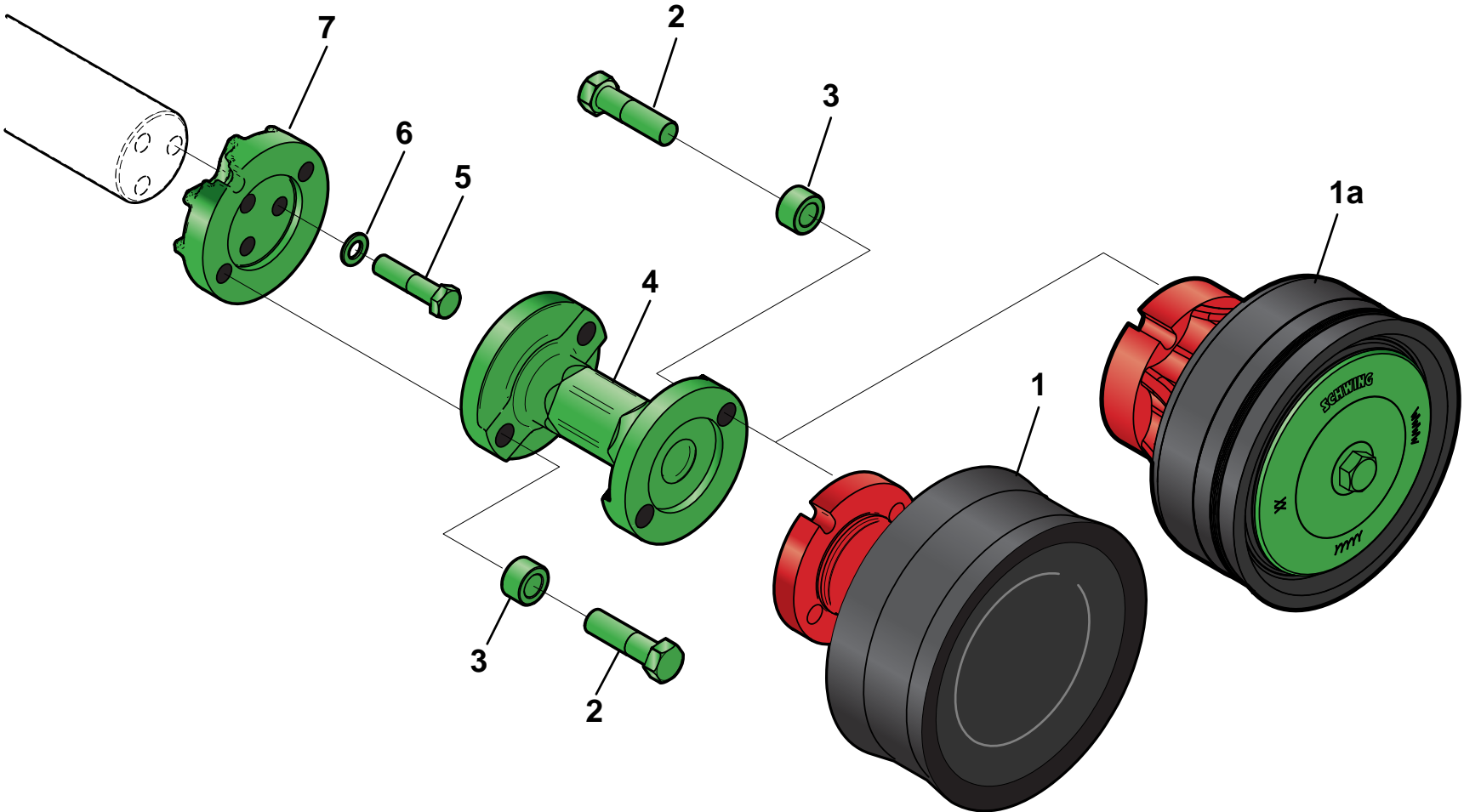
B/E Rock-Hopper



B/E Rock-Hopper

Item	Qty	Description	Part Number
1	1	Agitator Shaft	10167220
2	4	Agitator Paddle	10167218
3	2	Agitator Paddle	10167219
4	1	Flange RH	10061080
5	2	O-Ring 60 x 5	10000765
6	2	Sealing Cone	10061076
7	1	Bearing	10061078
8	1	Bushing	10061082
9	1	Disc	10061081
10	1	Disc	10061083
11	1	Bearing Cover	10061079
12	1	Agitator Bearing RH	10061073
13	1	Flange LH	10061075
14	1	Bushing D 60/80 x 23	10061077
15	1	Bearing	10061074
16	1	Agitator Motor	10039180
17	1	Agitator Bearing LH	10061072

Ram Assembly

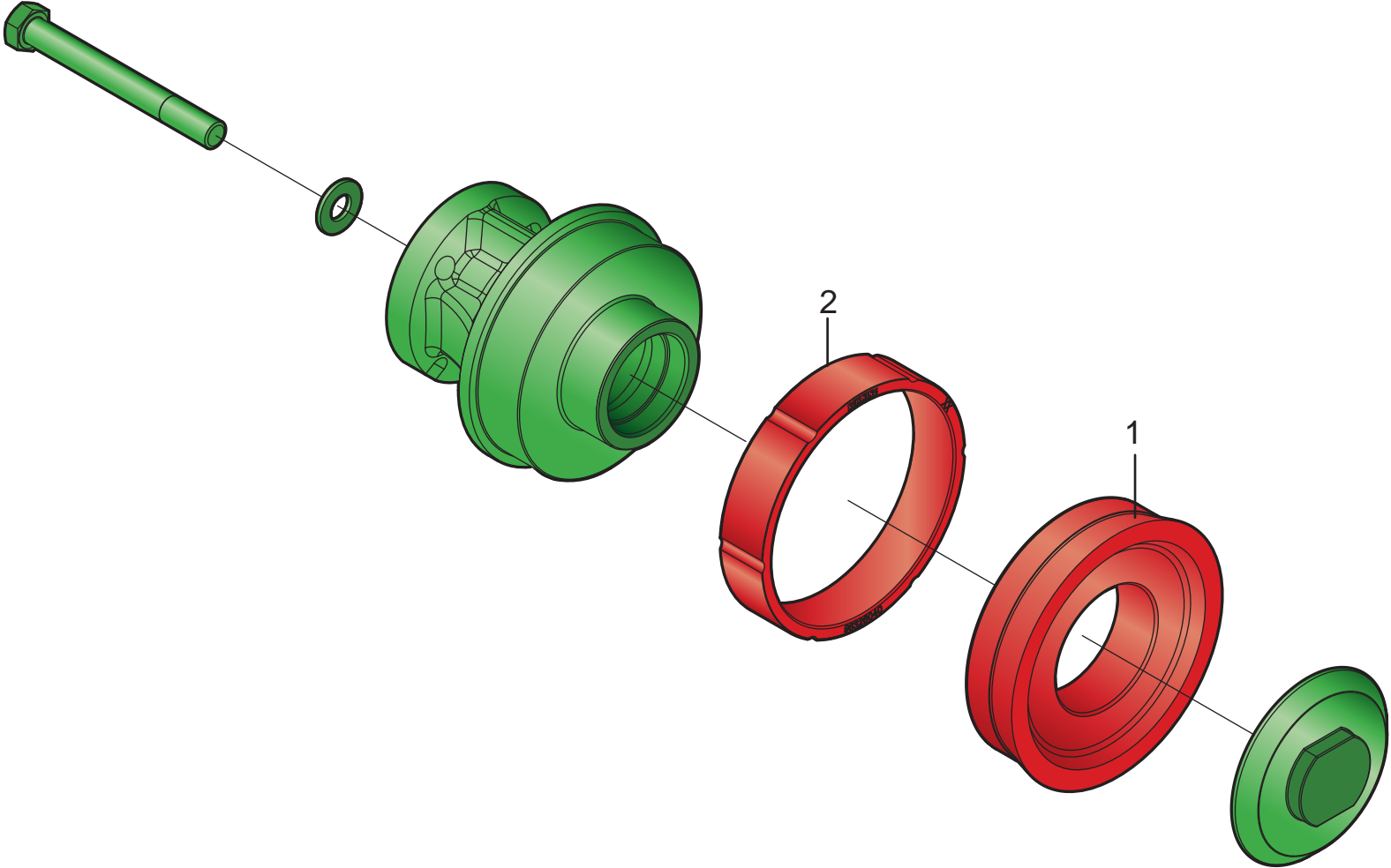


 = Wear Parts

Ram Assembly

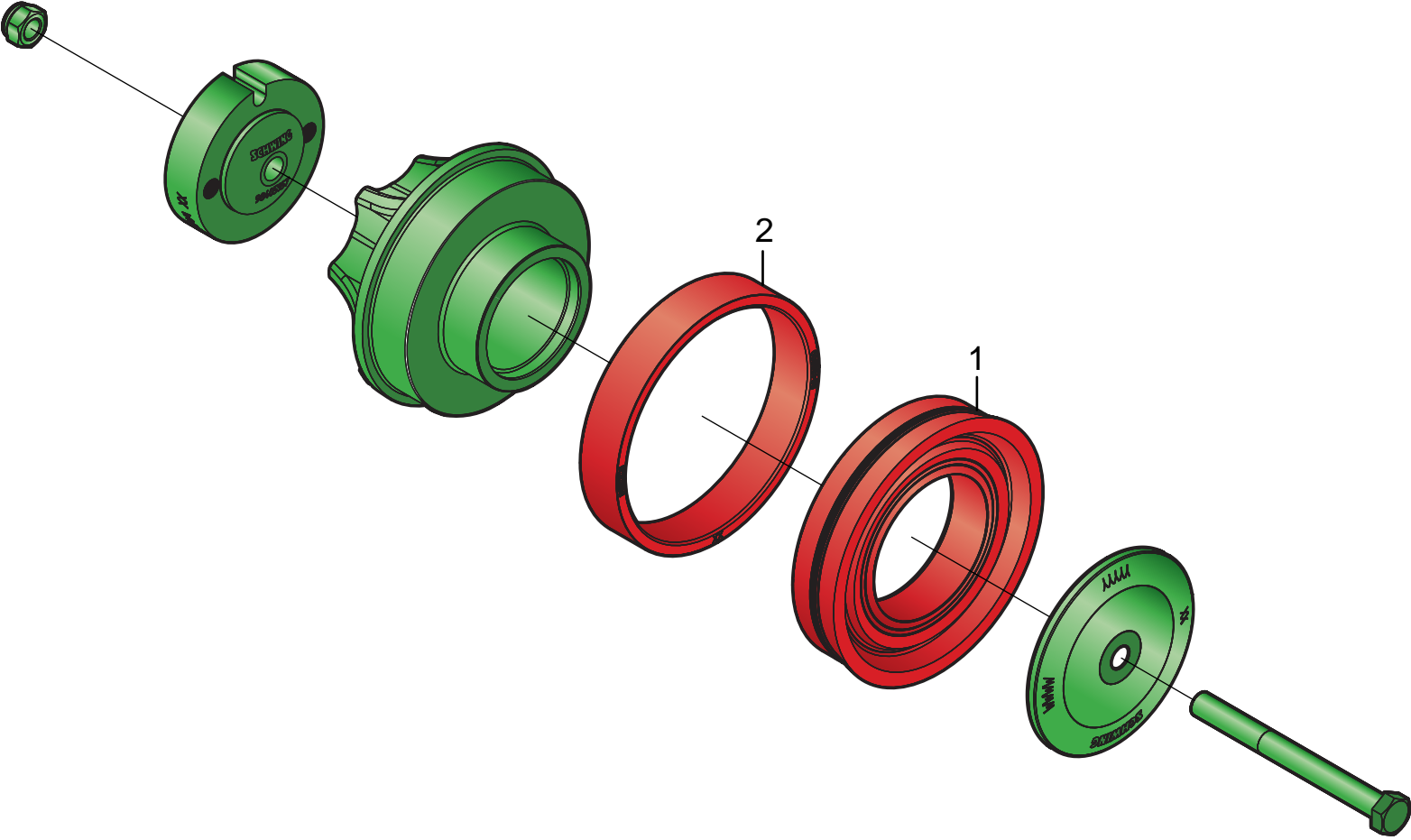
Item	Qty	Description	Part Number
1	1	Ram DN 200 (8")	10161754
		Ram DN 230 (9")	10161634
		Ram DN 250 (10")	10161980
1a	1	Ram Multi-Piece DN 200 (8")	98378160
		Ram Multi-Piece DN 230 (9") -	98438497
		Ram Multi-Piece DN 230 (9")	
		Ram Multi-Piece DN 250 (10")	98382962
2	2	Screw DIN 931 M 20 x 75-10.9-GT500	10001834
3	2	BUSHING - H 20 X 20.5/34, 2525 PUMPKITS	10187342
4	1	ADAPTER - CONNECTION RAM TO CYL REINFORC	10209273
5	3	Screw DIN 931 M 16 x 70-10.9-GT500	10006333
6	3	Lock washer S 16-phosphated	10006723
7	1	Coupling flange (Used on 130/80 and 120/80 Differential Cylinders)	10011849
	1	Coupling flange (Used on 110/75 Differential Cylinders)	10185708

Multi-Piece Ram - DN 200 NBR



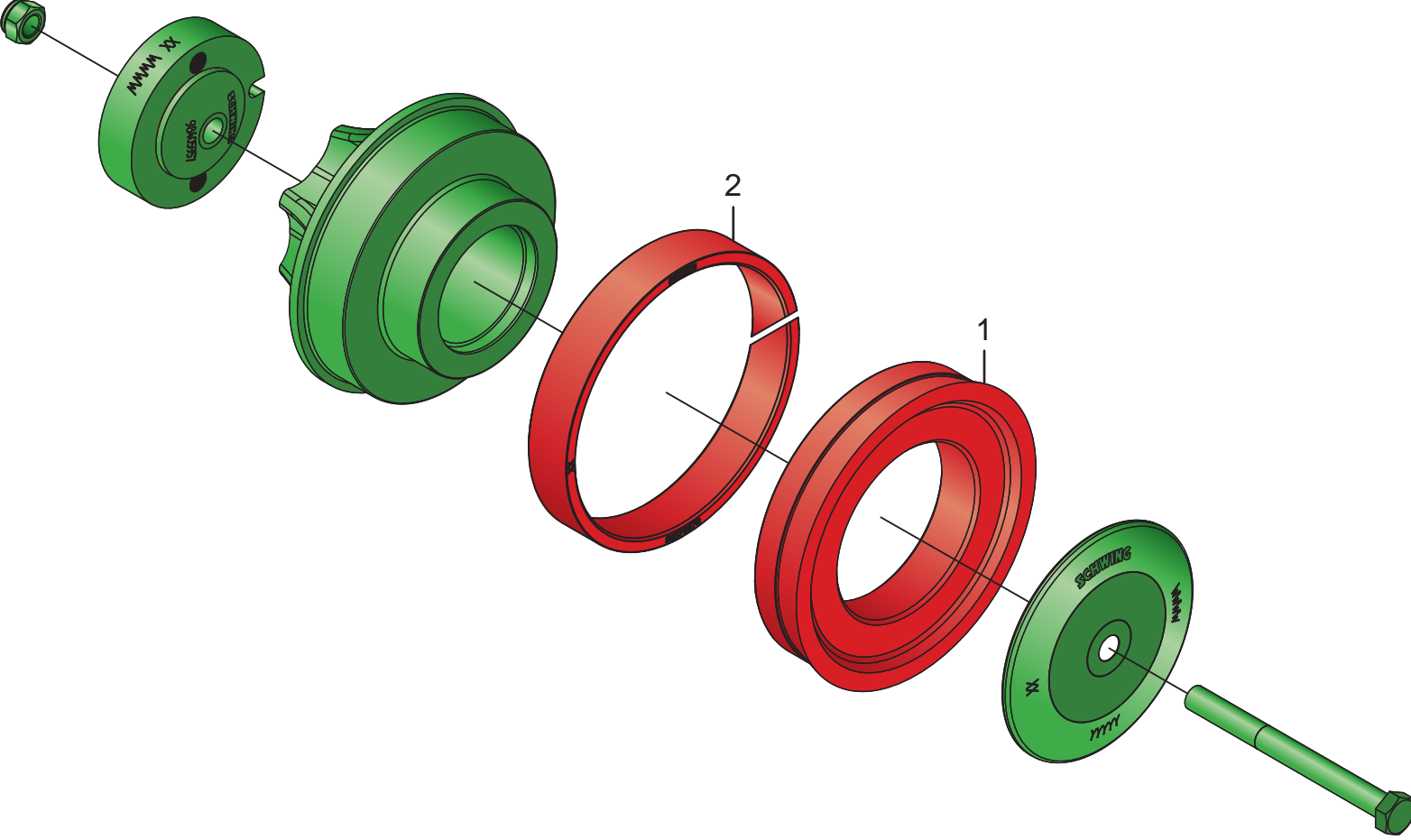
 = Wear Parts

Multi-Piece Ram - DN 230 NBR



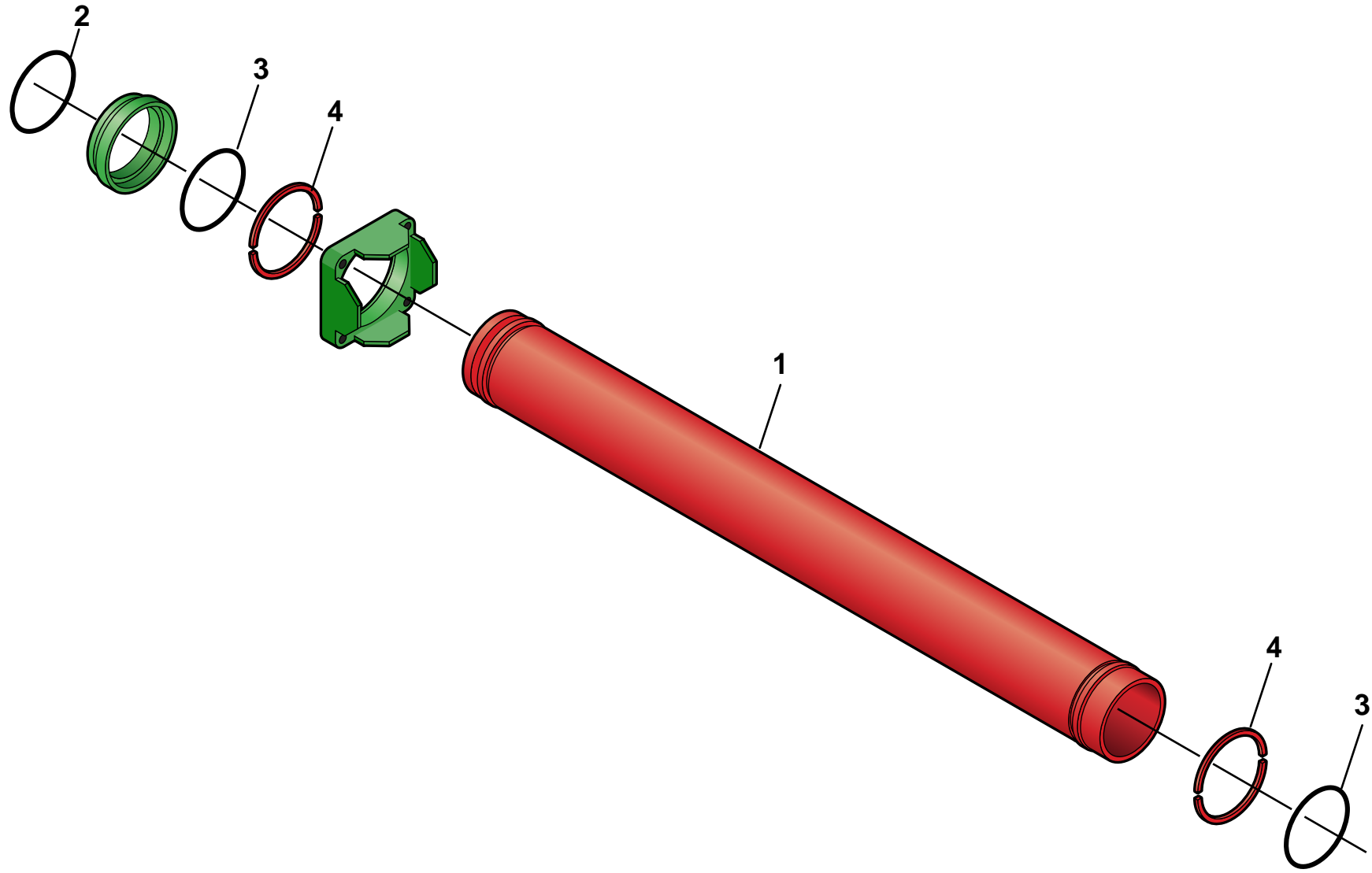
 = Wear Parts

Multi-Piece Ram - DN 250 NBR



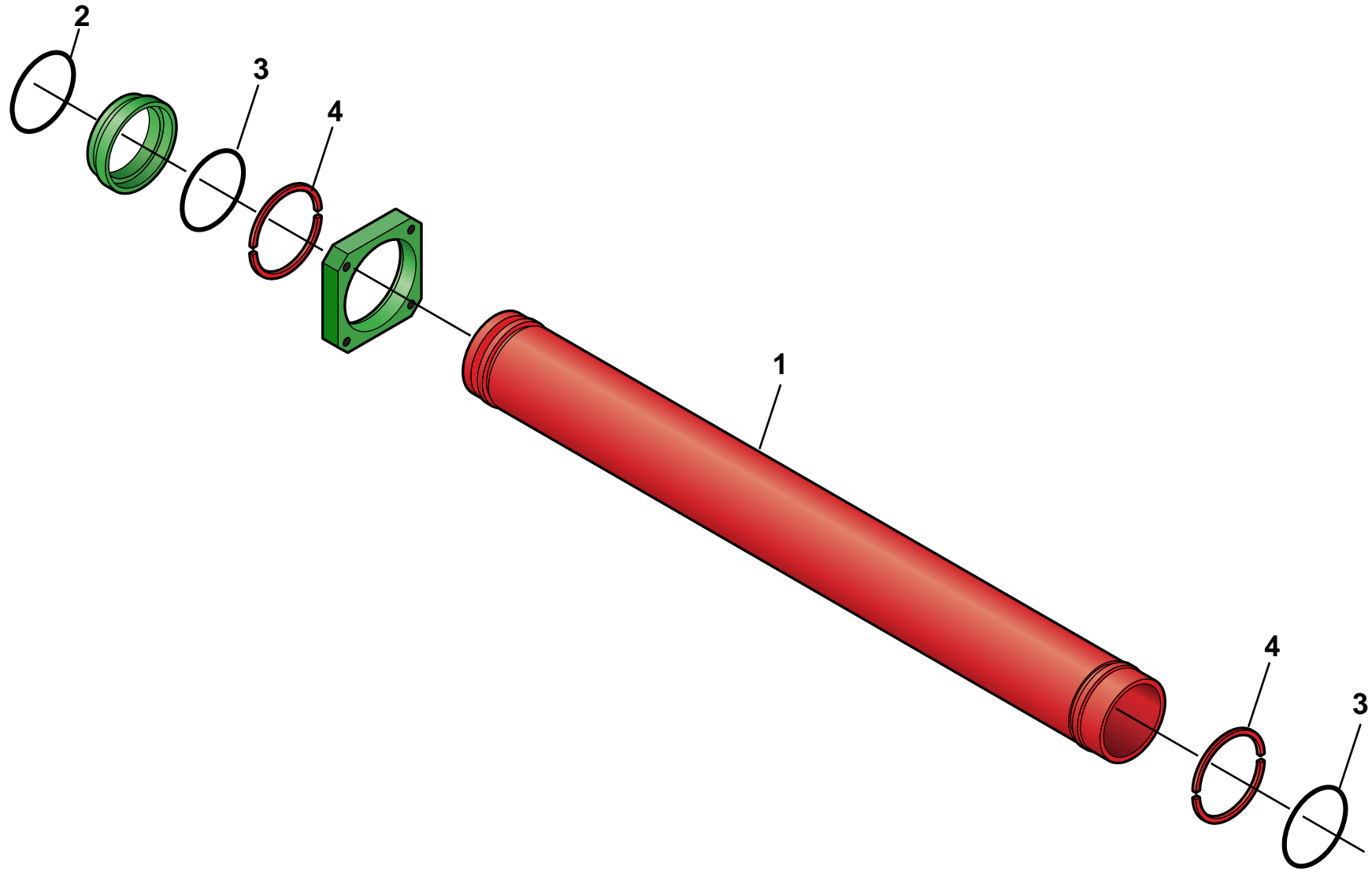
 = Wear Parts

Material Cylinder - DN 200 x 1600 (8")



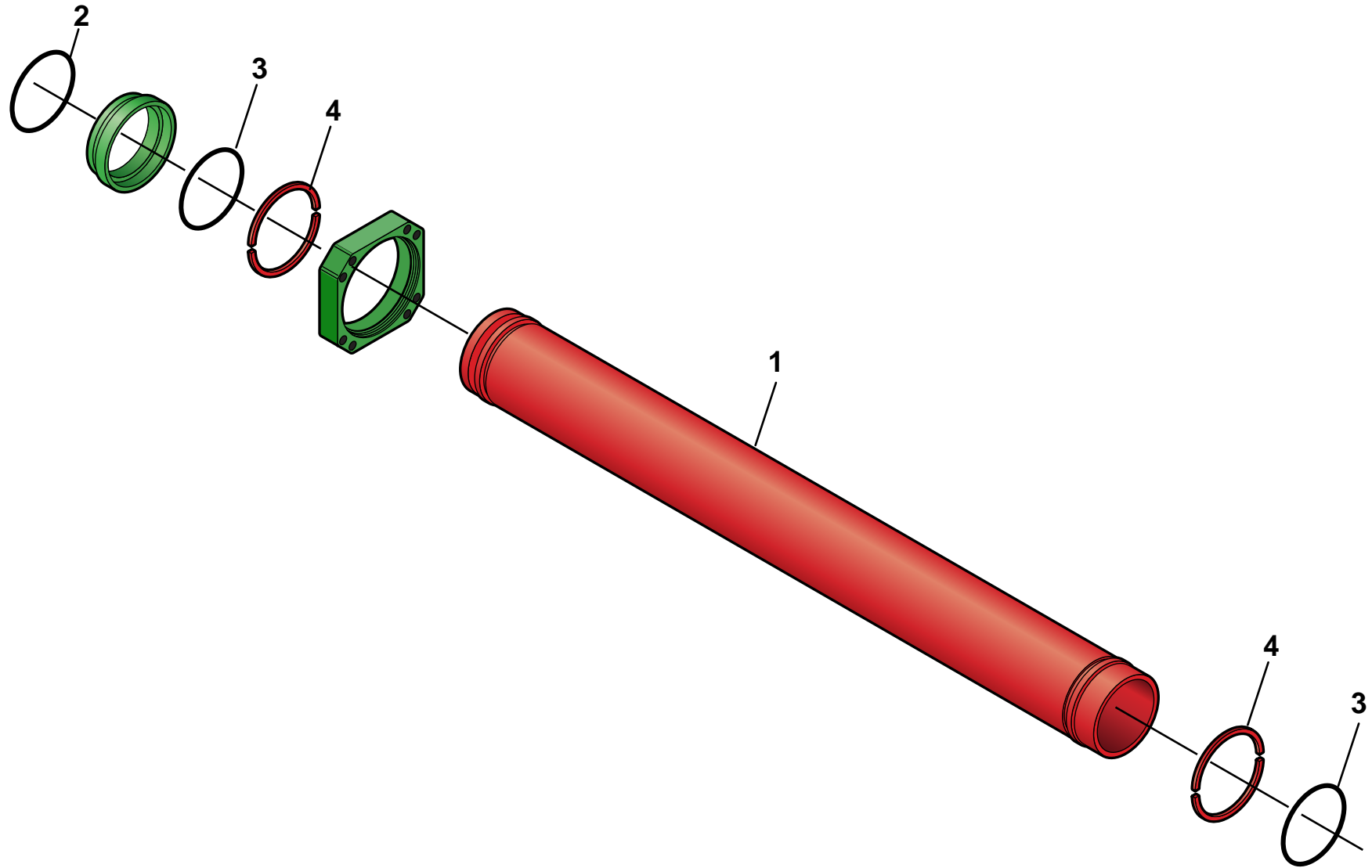
 = Wear Parts

Material Cylinder - DN 230 X 2000 (9")



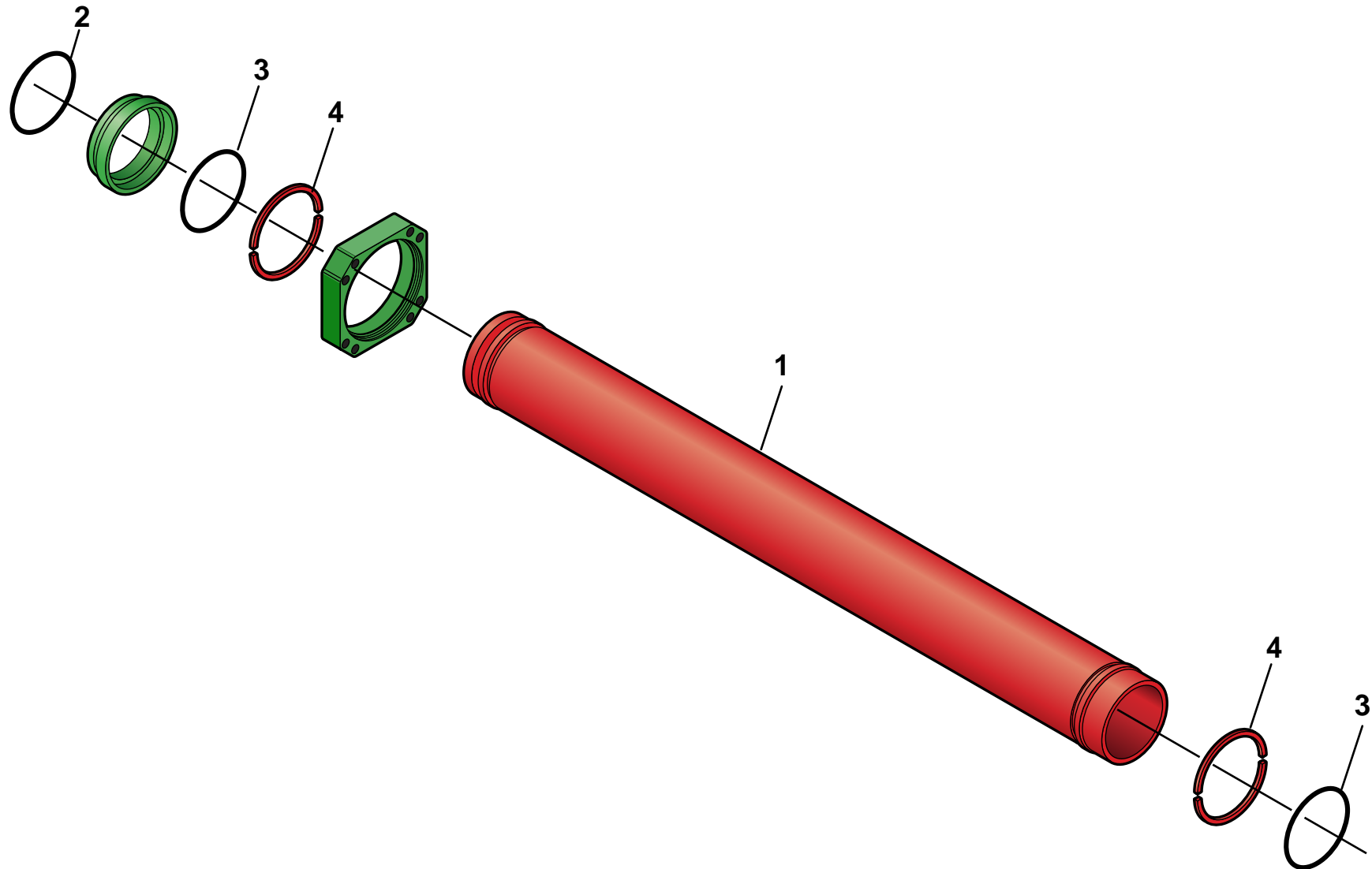
 = Wear Parts

Material Cylinder - 10201754 DN 250 x 2000 (10")



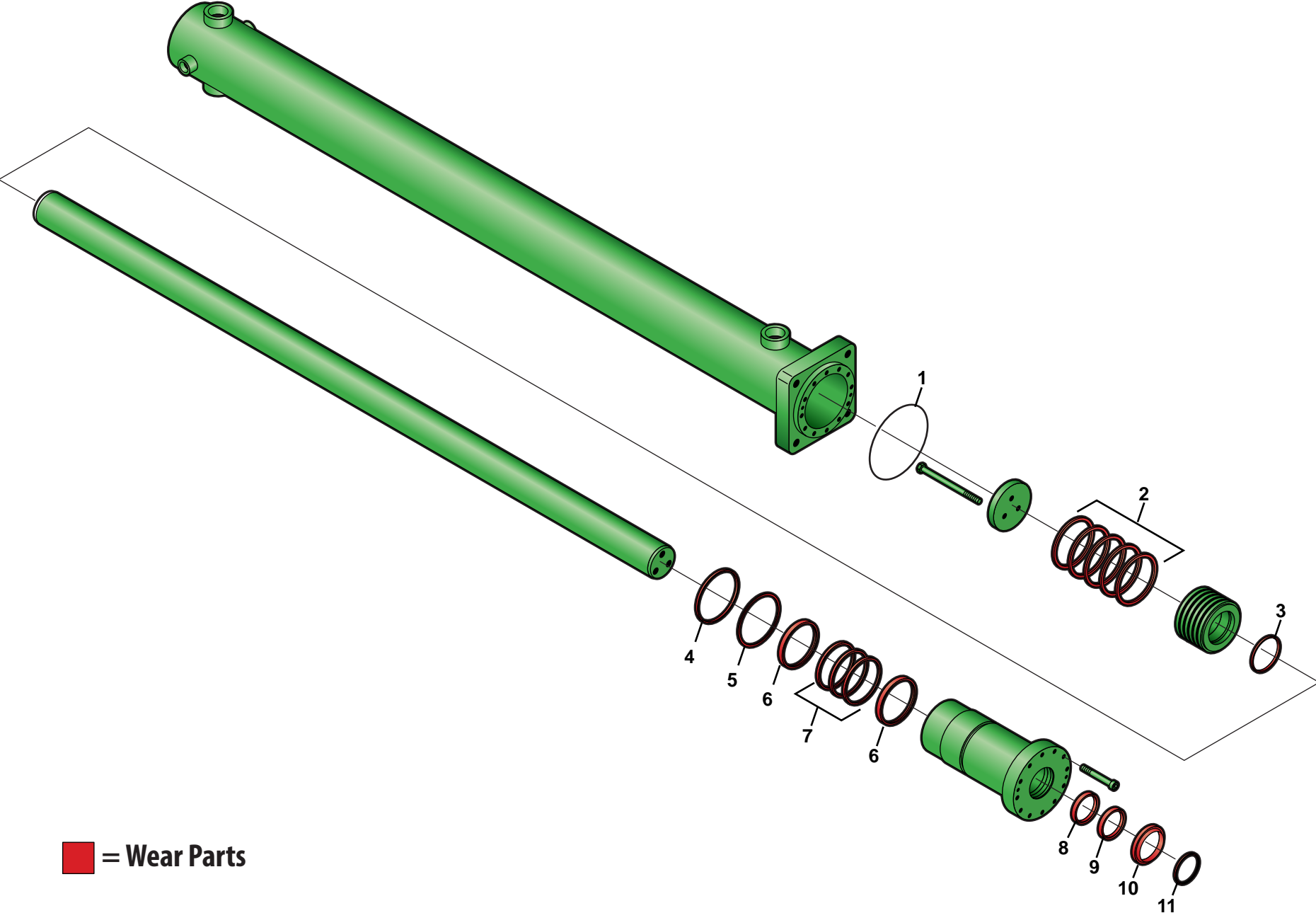
 = Wear Parts

Material Cylinder - DN 250 x 2500 (10")



 = Wear Parts

Differential Cylinder - 10176356 D110/75 X 2000



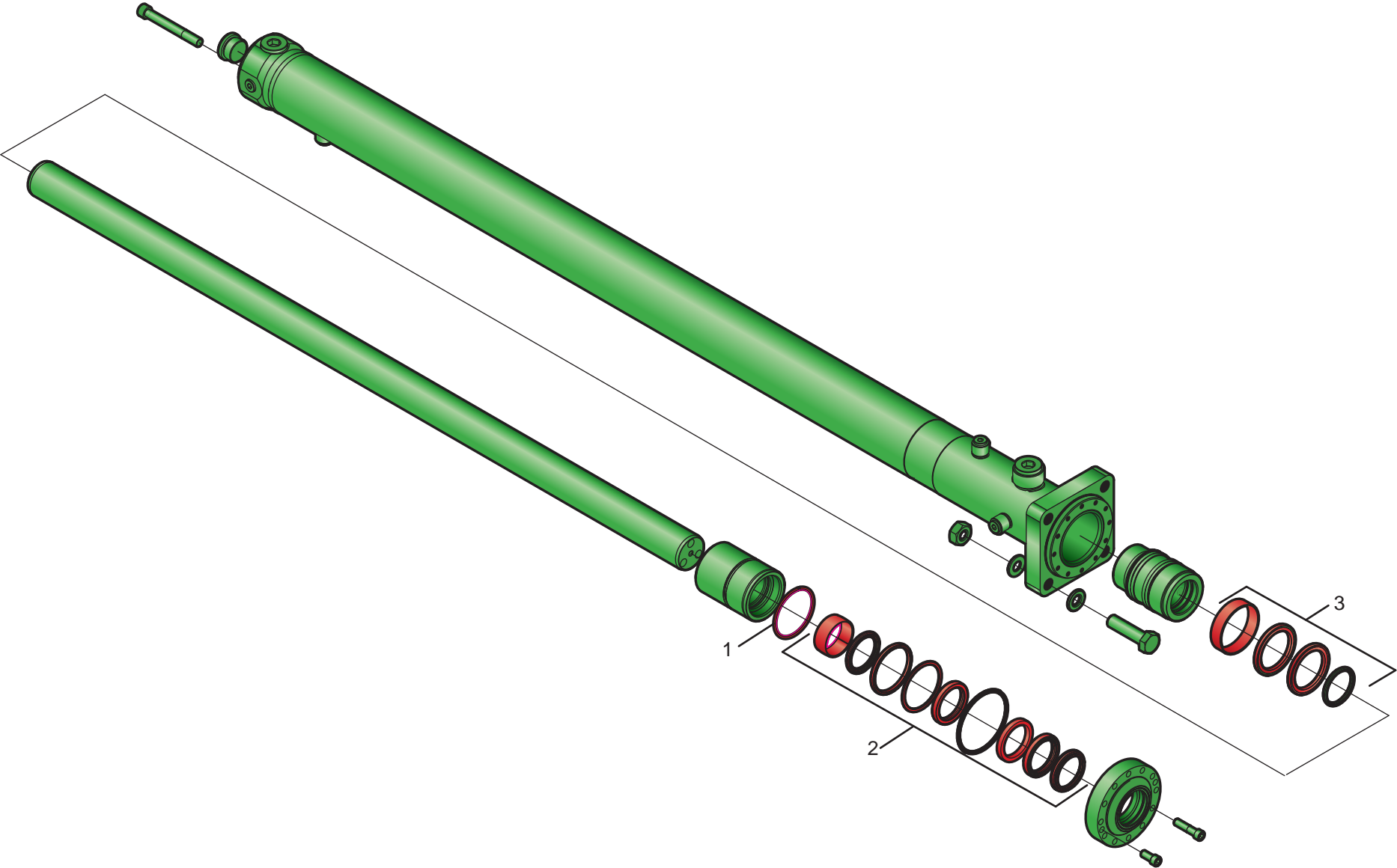
 = Wear Parts

Differential Cylinder

10176356 D110/75 X 2000

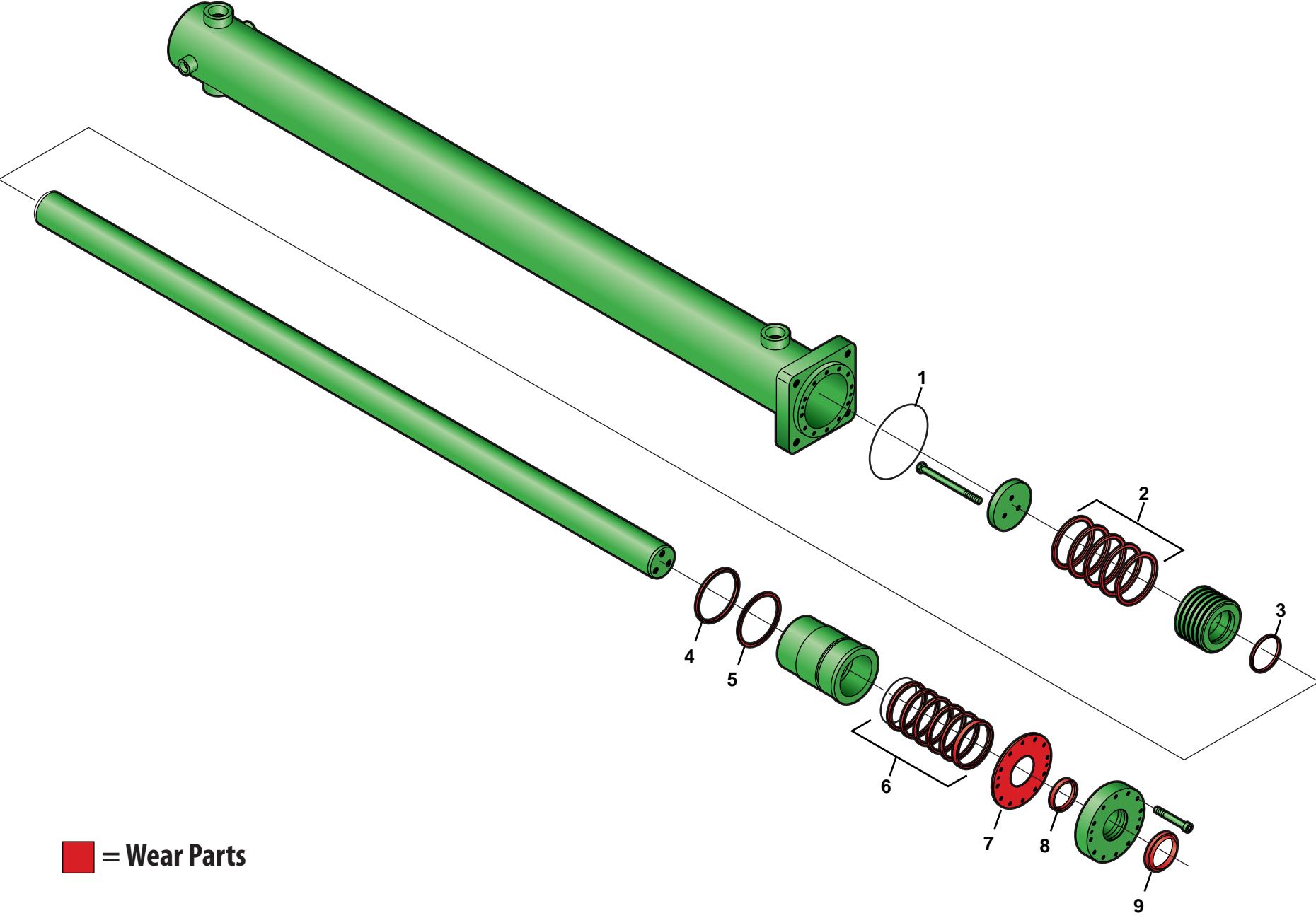
Item	Qty	Description	Part Number
1	1	O-Ring 174 x 3 NBR 70	10000511
2	5	Rectangular ring 110.0/100.8 x 3.0	10007990
3	1	O-Ring 73 x 5 NBR 70	10167680
4	1	O-Ring 100 x 5 NBR 90	10001113
5	1	Back-up ring slotted 110 x 102 x 1.5	10071952
6	2	Guide strip ID 75 x 2.5 x 15	10176283
7	3	Guide strip ID 75 x 2.5 x 9,7	10176287
8	1	Rod sealing 75 x 90 x 8.5	10176285
9	1	Rod sealing 75 x 90 x 12	10176286
10	1	Rod sealing 75/ 85 x 7/8	10205023
11	1	Wiper ring 75 x 83 x 7	10176284

Differential Cylinder - 98352406 D 110/75 x 2000



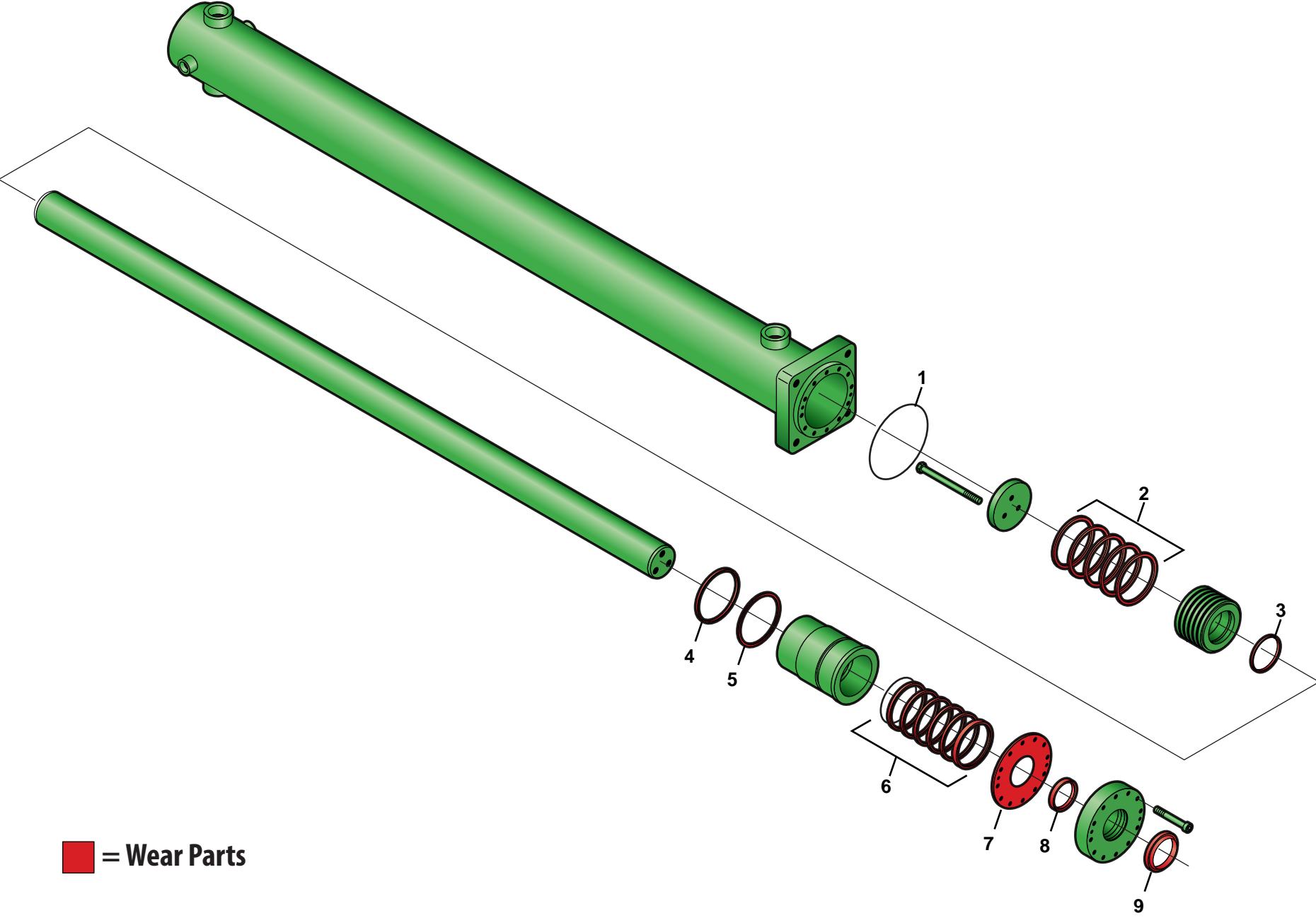
 = Wear Parts

Differential Cylinder - 10031492 120/80 x 2000



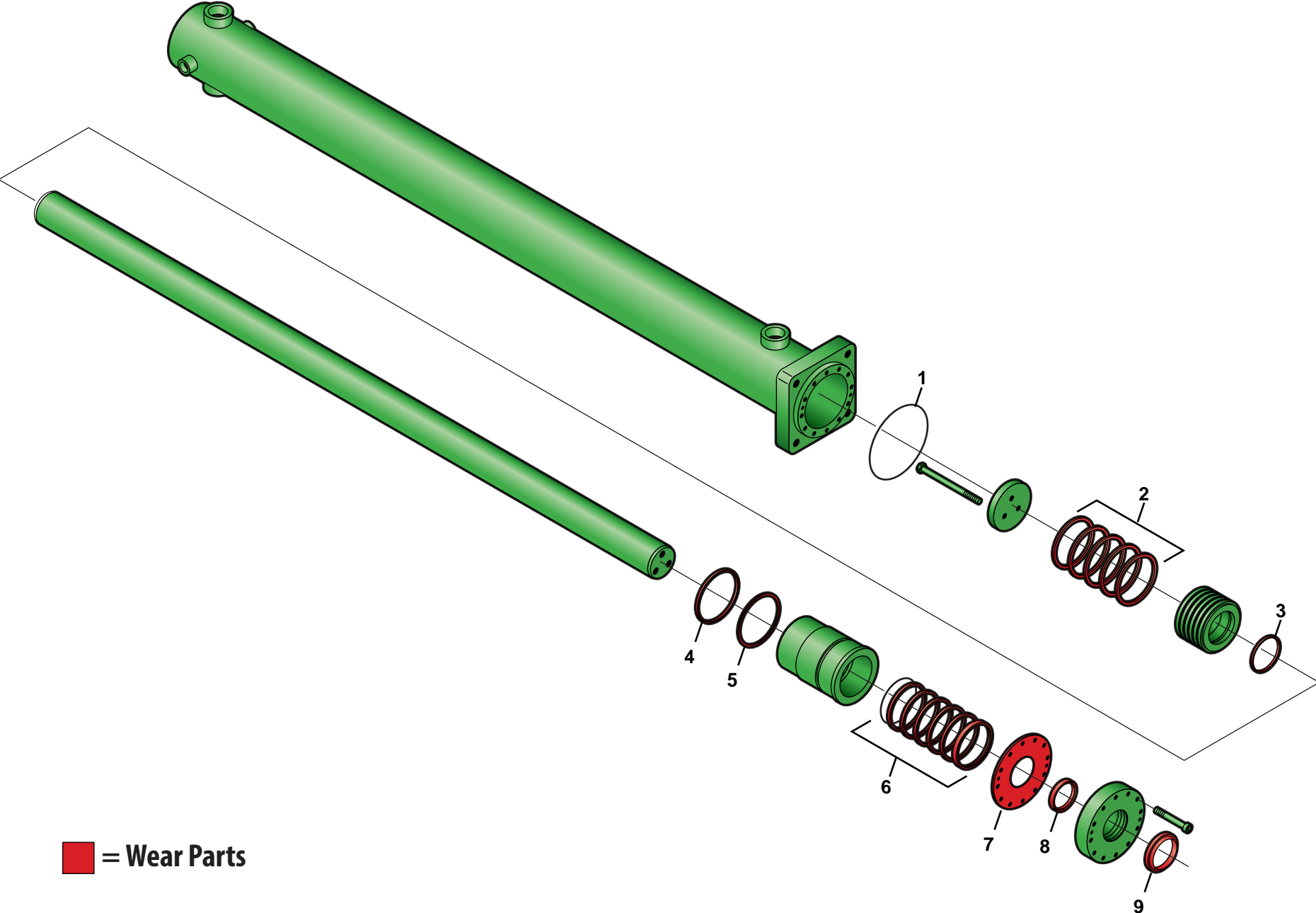
 = Wear Parts

Differential Cylinder - 10031423 125/80 x 2000



■ = Wear Parts

Differential Cylinder - 10023479 130/80 x 2000



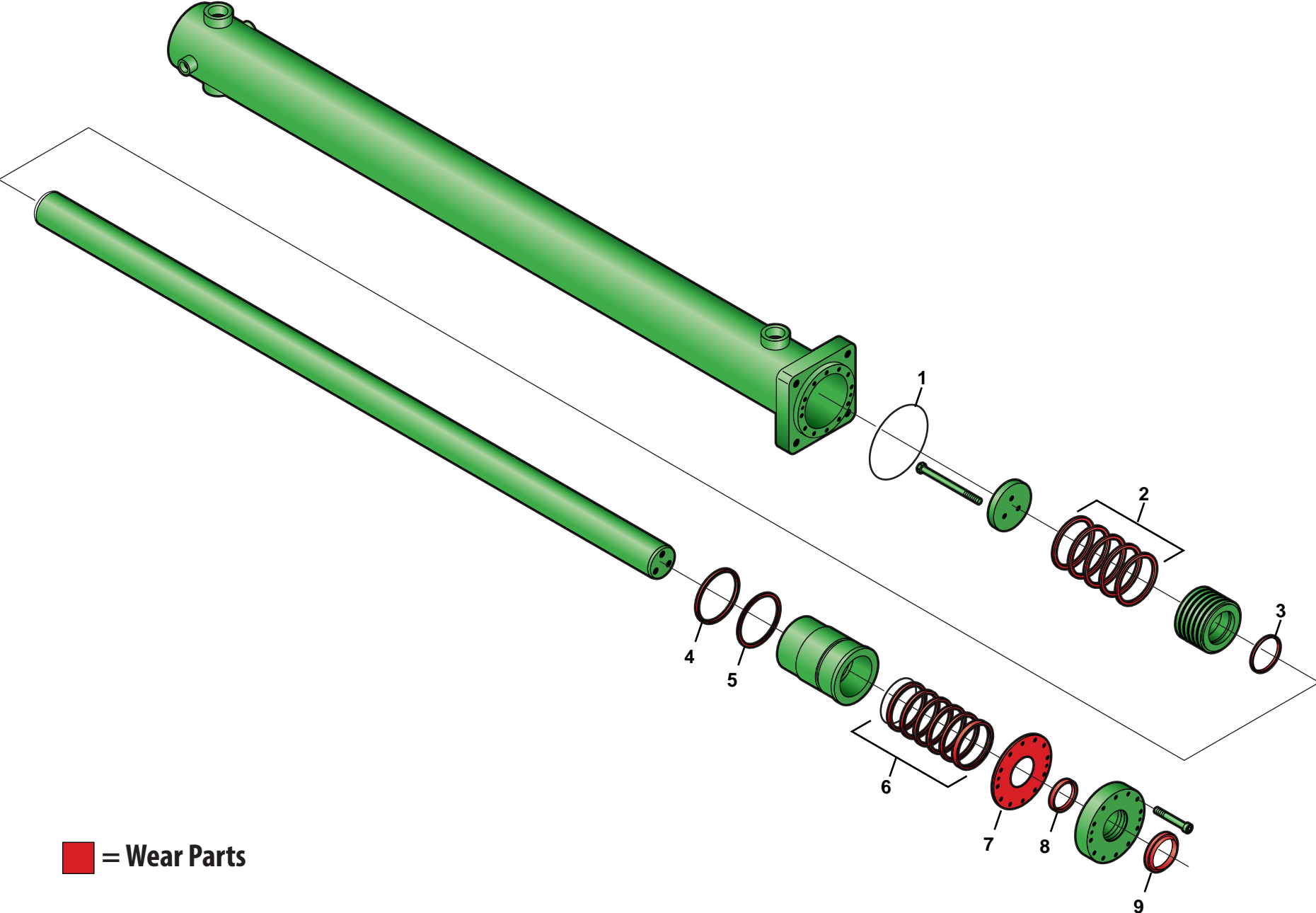
 = Wear Parts

Differential Cylinder

10023479 130/80 x 2000

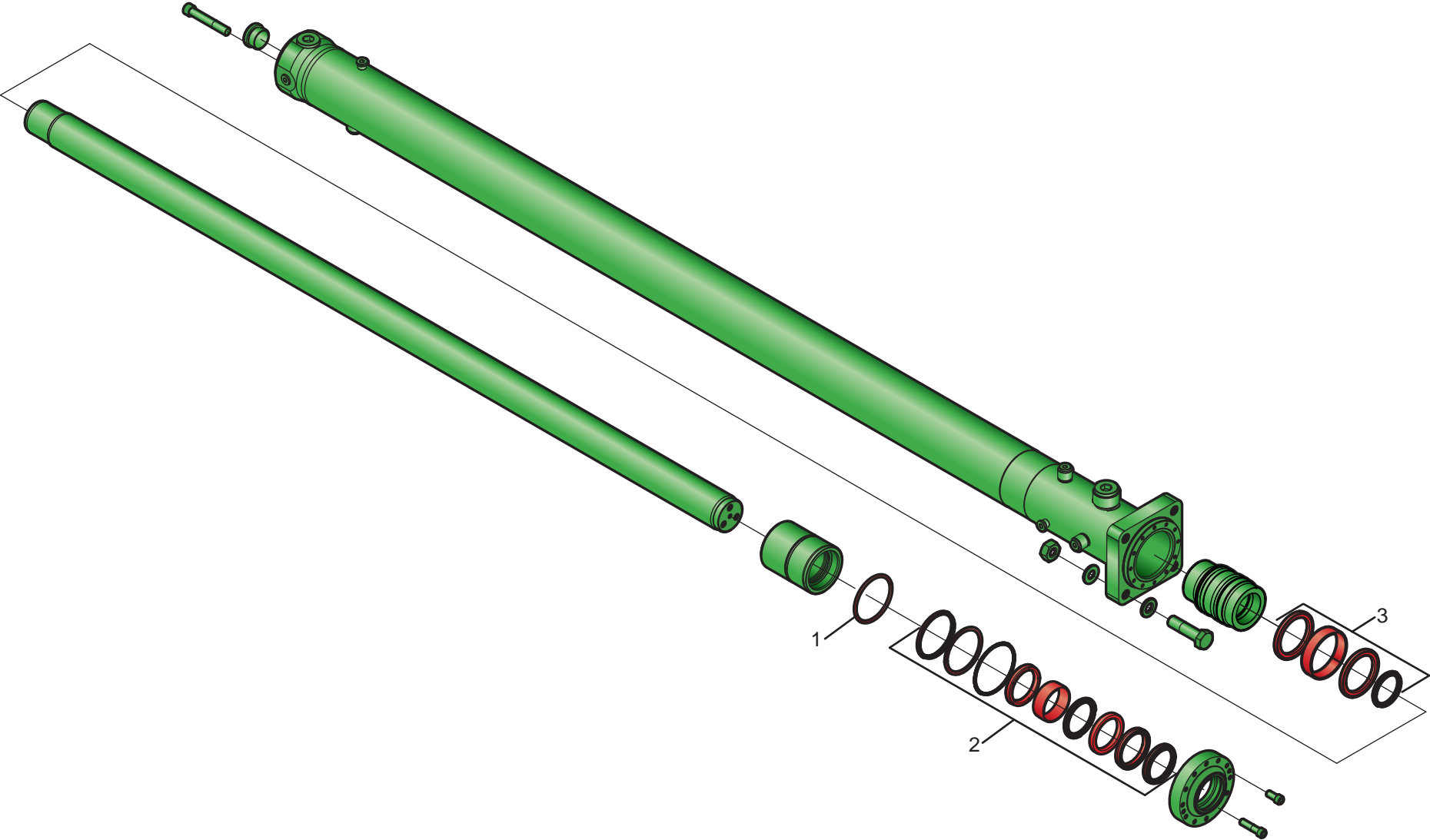
Item	Qty	Description	Part Number
1	1	O-Ring 174 x 3 NBR 70	10000511
2	5	RING - PISTON, SG 130/119.2 X 4	10007056
3	1	O-Ring 78 x 4 NBR 70	10000968
4	1	O-Ring 110 x 5 NBR 70	10001077
5	1	Back-up ring slotted 120 x 112 x 2	10017527
6	1	Sealing gland set 80/100 x 40	10003421
7	AR	SHEET - 0.3MM A30 SPACING DISC 101/159	10017517
8	1	SEALING 80 X 90 X 7	10207085
9	1	SEAL - SCRAPER, 80 X 92.2X12 P6-80	10002329
	1	Sealing set 130/80 for 10023479 (includes items 1,3,4,5,6,8,9)	98433786

Differential Cylinder - 10164038 120/85 x 2500



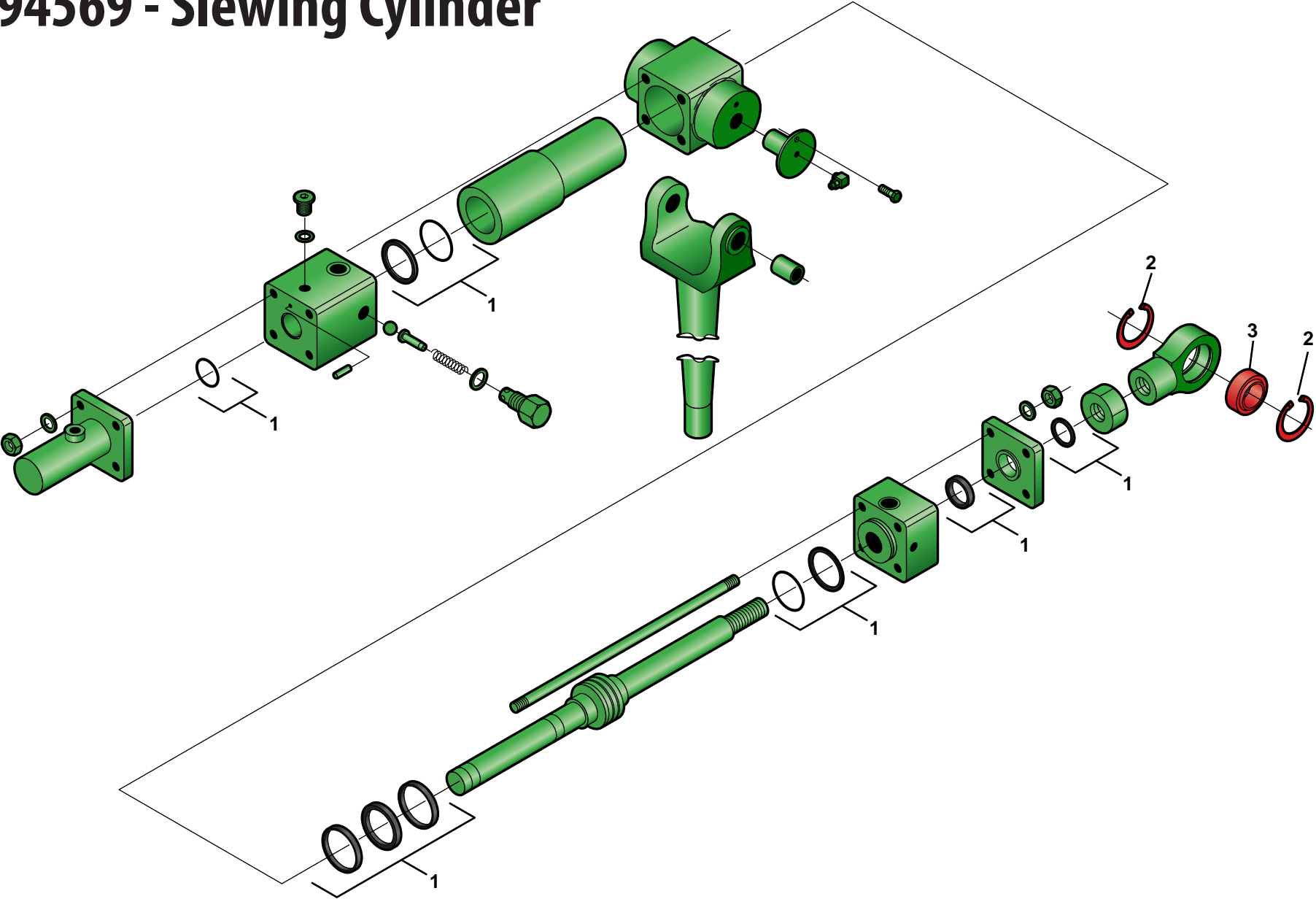
 = Wear Parts

Differential Cylinder - 98369465 D 120/85 x 2500



 = Wear Parts

10094569 - Slewing Cylinder



 = Wear Parts

